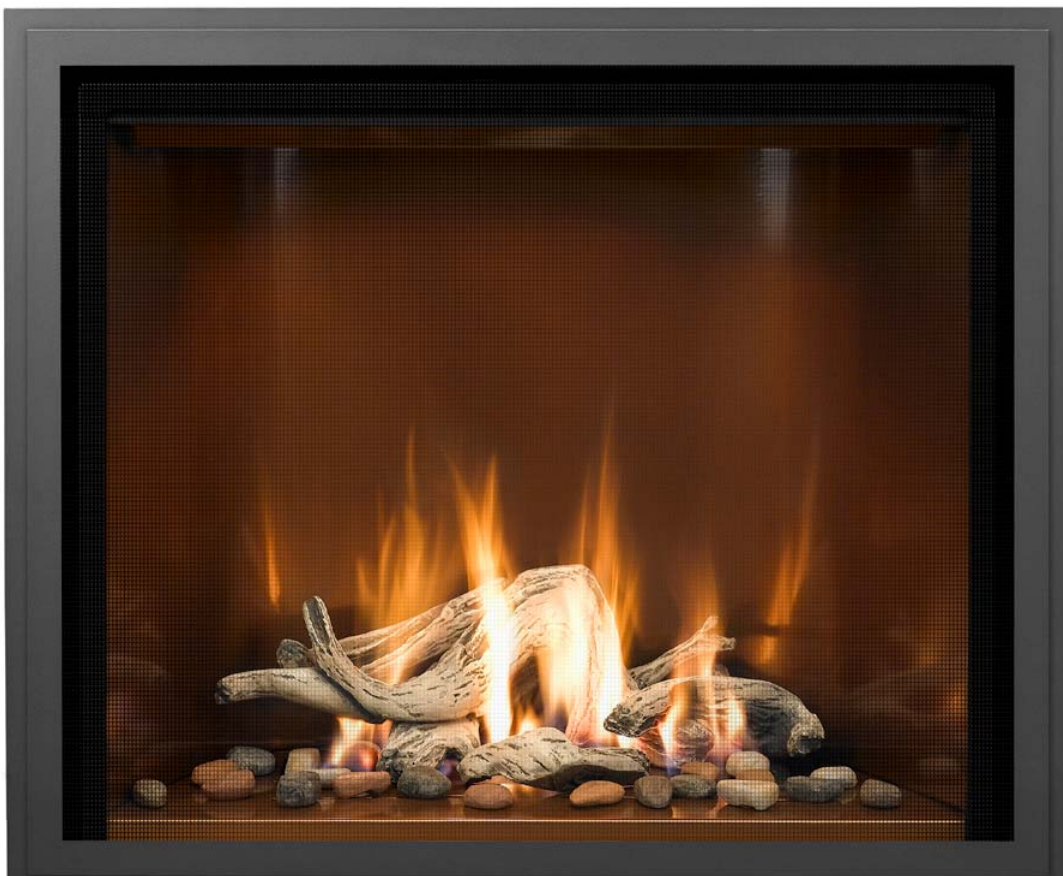


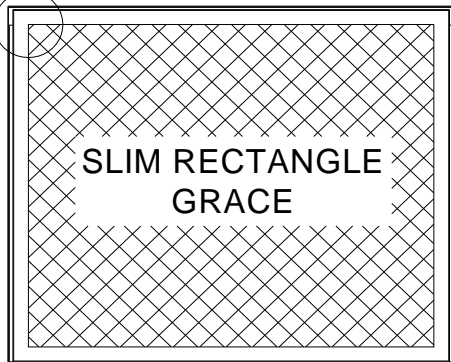
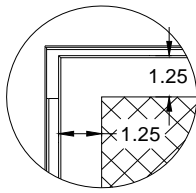
---

FV 41 GRACE KITS  
RECTANGLE or ARCHED  
WIDE or SLIM

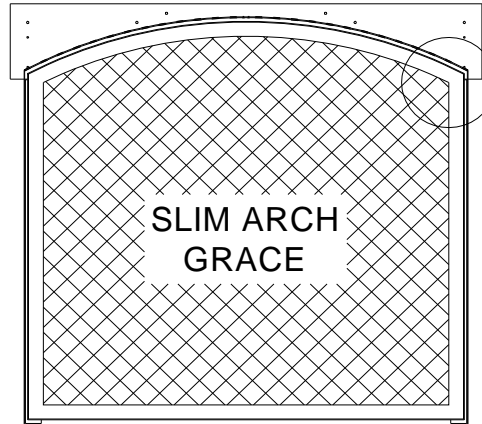
---

INSTALLATION INSTRUCTIONS

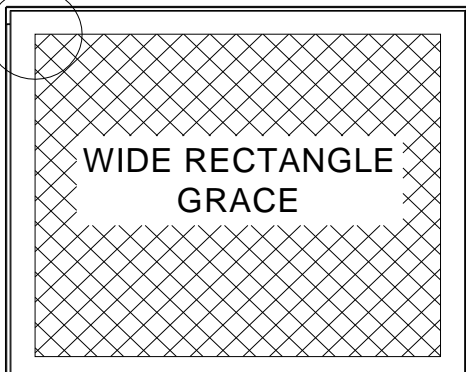
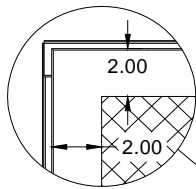
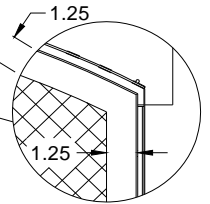




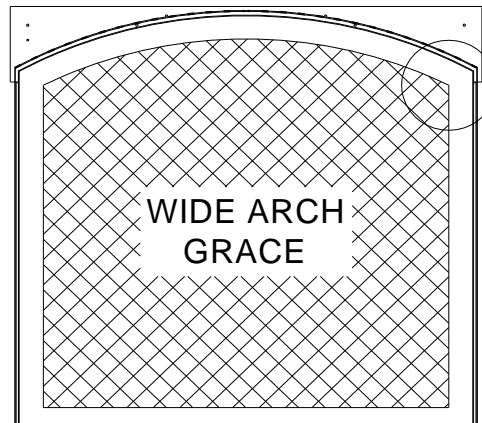
SLIM RECTANGLE  
GRACE



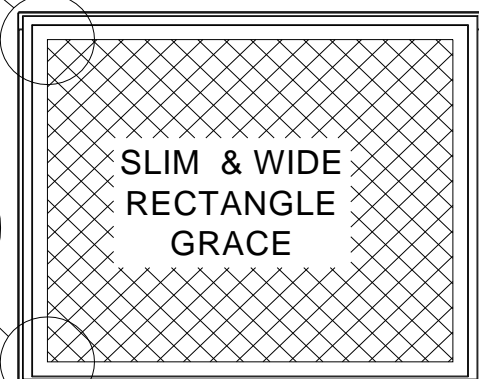
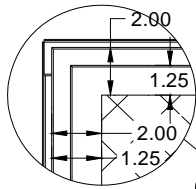
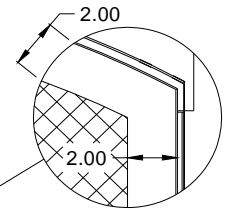
SLIM ARCH  
GRACE



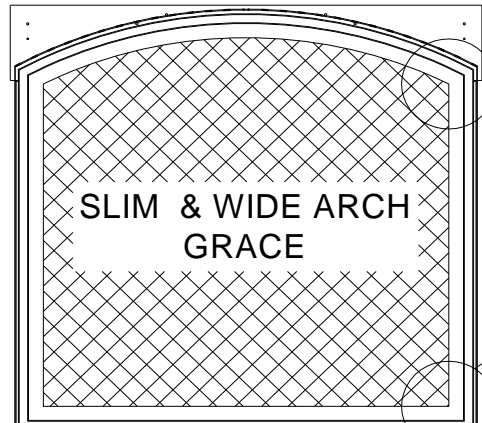
WIDE RECTANGLE  
GRACE



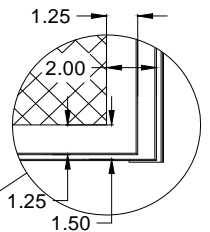
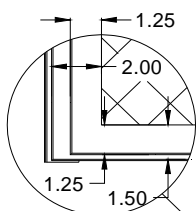
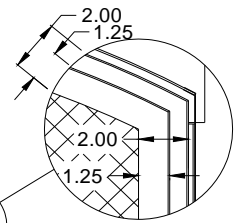
WIDE ARCH  
GRACE



SLIM & WIDE  
RECTANGLE  
GRACE



SLIM & WIDE ARCH  
GRACE



## Table of Contents

<b>1. LIST OF PARTS IN EACH GRACE KIT</b> .....	
1.1 FV41 GRACE KIT- RECTANGLE SLIM .....	PG. 4
1.2 FV41 GRACE KIT- RECTANGLE WIDE .....	PG. 5
1.3 FV41 GRACE KIT- ARCH SLIM .....	PG. 6
1.4 FV41 GRACE KIT- ARCH WIDE .....	PG. 7
<b>2. INSTALLING THE GRACE ON THE FIREPLACE</b> .....	PG. 8
<b>3. INSTALLING GRACE FINISHING GUIDES</b> .....	
3.1 FV41 GRACE KIT- RECTANGLE SLIM .....	PG. 9
3.2 FV41 GRACE KIT- RECTANGLE WIDE .....	PG. 9
3.3 FV41 GRACE KIT- ARCH SLIM .....	PG. 10
3.4 FV41 GRACE KIT- ARCH WIDE .....	PG. 10
<b>4. PLACEMENT FOR GRACE FRAMING GUIDES</b> .....	
4.1 FV41 GRACE KIT- RECTANGLE SLIM .....	PG. 11
4.2 FV41 GRACE KIT- RECTANGLE WIDE .....	PG. 12
4.3 FV41 GRACE KIT- ARCH SLIM .....	PG. 13
4.4 FV41 GRACE KIT- ARCH WIDE .....	PG. 14
<b>5. MOUNTING TO THE FIRE PLACE BODY</b> .....	PG. 15
<b>6. CONNECTING SLIM GRACE ON TOP OF WIDE GRACE</b> .....	PG. 17
<b>7. CLEANING INSTRUCTIONS</b> .....	PG. 20

### **General Cleaning & Maintenance:**

Spray a glass cleaner solution on a dry soft cloth and wipe the Grace to remove any dirt and finger prints from the surface. **DO NOT** use any abrasive cleaner or a cleaner that contains ammonia as an ingredient. For Antique Copper coated Grace, follow Mendota Copper Cleaning Procedures only!

### **CAUTION**

Mendota recommends that clean cloth gloves be worn when assembling or mounting any decorative front to prevent finger prints from damaging the surfaces and to minimize the cleaning effort.

## FV41 GRACE KIT- RECTANGLE SLIM

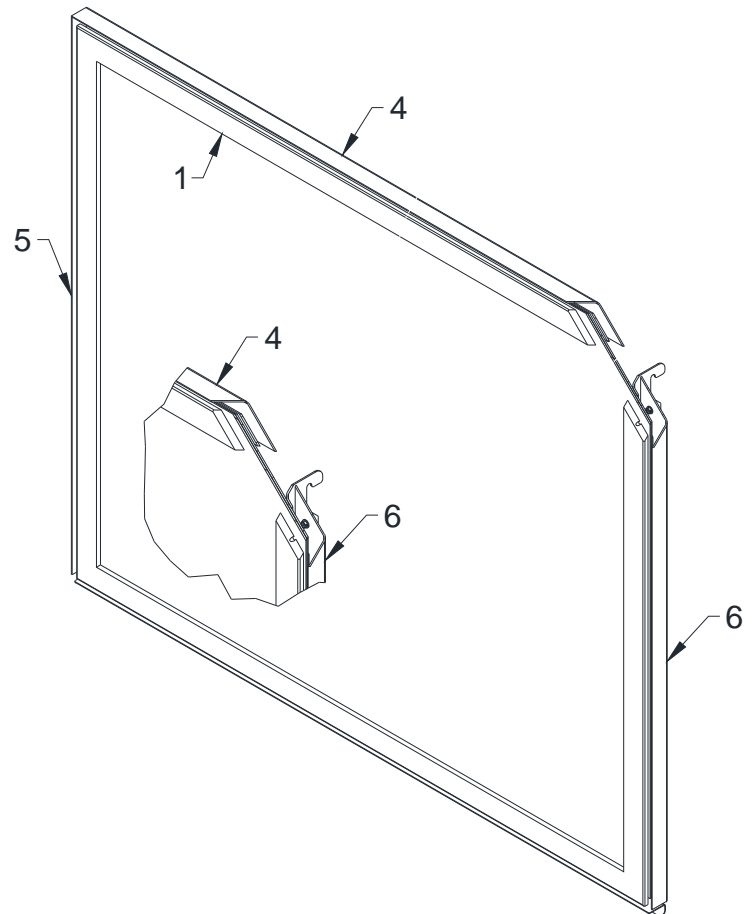
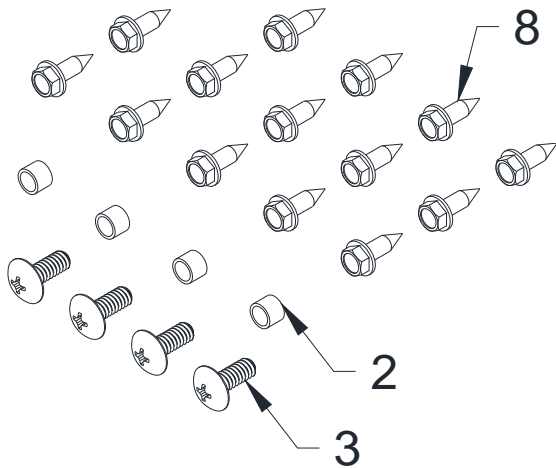
LIST OF PARTS INCLUDED		
KEY	QTY	DESCRIPTION
<b>GRACE KIT</b>		
1	1	RECTANGLE GRACE
<b>BAG ASSEMBLY, HANGING GRACE</b>		
2	4	SPACER #10 STUD X 1/4"
3	4	SCREW, 10-24 X 1/2"
<b>GUIDES</b>		
4	1	TOP FINISH GUIDE
5	1	FINISH GUIDE, LH
6	1	FINISH GUIDE, RH
7	1	BOTTOM GUIDE, SLIM ARCH/RECT
8	16	TEKS, HEX #8 X 1/2" BLACK ZINC

AA-11-01461	BLACK
AA-11-01462	VINTAGE IRON
AA-11-01463	ANTIQUE COPPER
AA-11-01464	SWEDISH NICKEL
AA-11-01465	BRUSHED CHROME

### TOOLS REQUIRED

Screw Driver
Door Removal Tool (Supplied with fireplace)

Unwrap the Grace Slim Rectangle Kit carefully and inspect for any shipping damage. If damage is evident, contact your Mendota Dealer. Identify the parts included with the GRACE SLIM RECTANGLE. If any parts are missing, contact your Mendota Dealer before proceeding with this installation and obtain the missing parts.



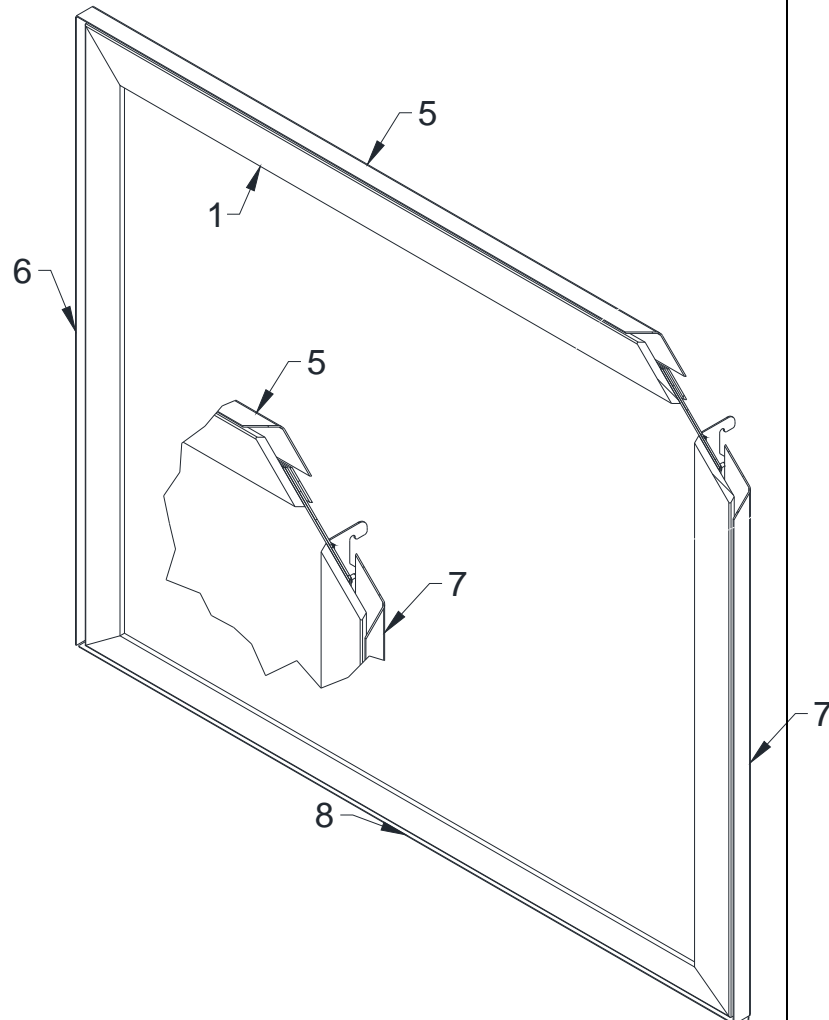
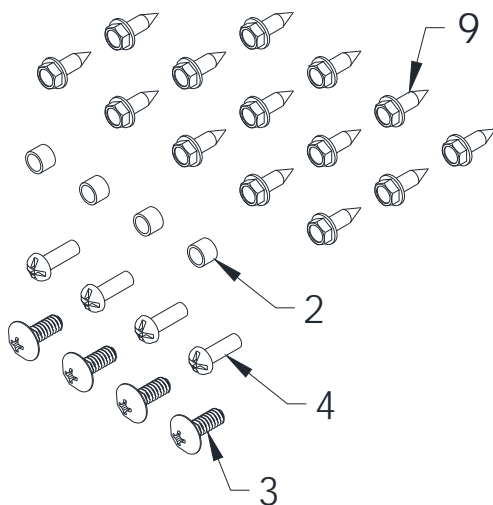
## FV41 GRACE KIT- RECTANGLE WIDE

LIST OF PARTS INCLUDED		
KEY	QTY	DESCRIPTION
<b>GRACE KIT</b>		
1	1	RECTANGLE GRACE
<b>BAG ASSEMBLY, HANGING GRACE</b>		
2	4	SPACER #10 STUD X 1/4"
3	4	SCREW, 10-24 X 1/2"
<b>BAG ASSEMBLY, CONNECTING GRACES</b>		
4	4	SCREW, 10-32 X 1/2" * WIDE ONLY*
<b>GUIDES</b>		
5	1	TOP FINISH GUIDE
6	1	FINISH GUIDE, LH
7	1	FINISH GUIDE, RH
8	1	BOTTOM GUIDE, WIDE ARCH/RECT
9	16	TEKS, HEX #8 X 1/2" BLACK ZINC

Kit #	Color Scheme
AA-11-01456	BLACK
AA-11-01457	VINTAGE IRON
AA-11-01458	SWEDISH NICKEL
AA-11-01459	ANTIQUE COPPER
AA-11-01460	BRUSHED CHROME

TOOLS REQUIRED
Screw Driver
Door Removal Tool (Supplied with fireplace)

Unwrap the Grace Wide Rectangle Kit carefully and inspect for any shipping damage. If damage is evident, contact your Mendota Dealer. Identify the parts included with the GRACE WIDE RECTANGLE KIT. If any parts are missing, contact your Mendota Dealer before proceeding with this installation and obtain the missing parts.



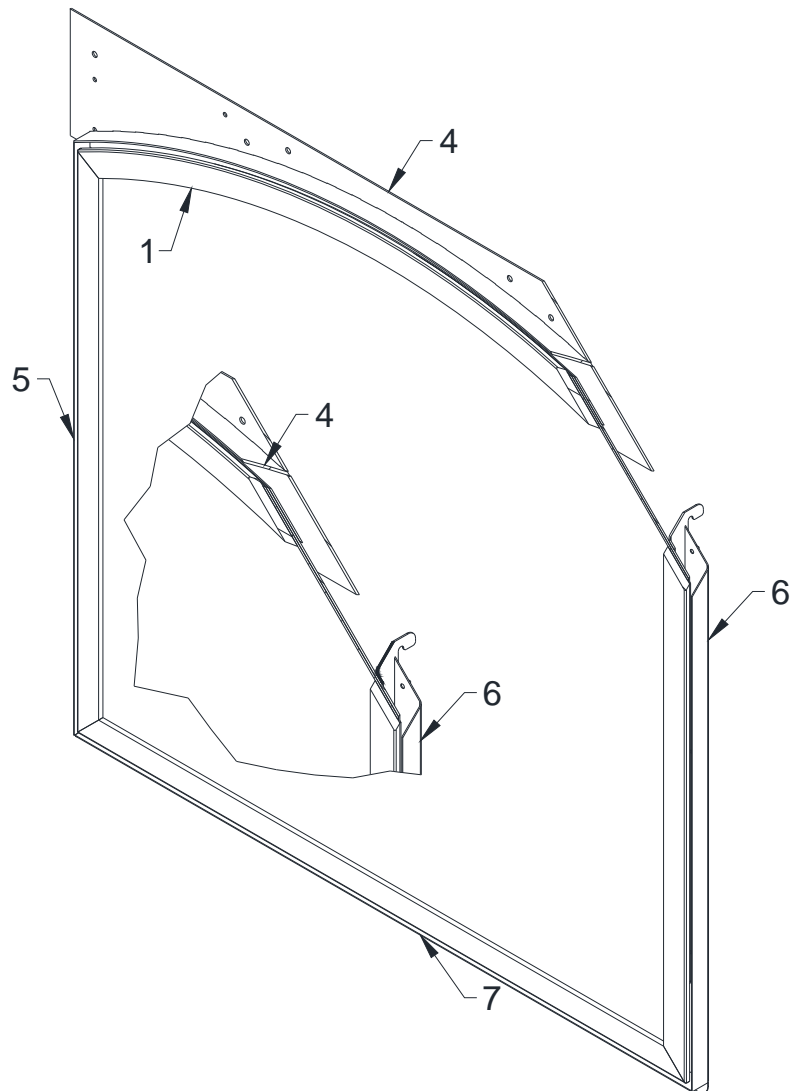
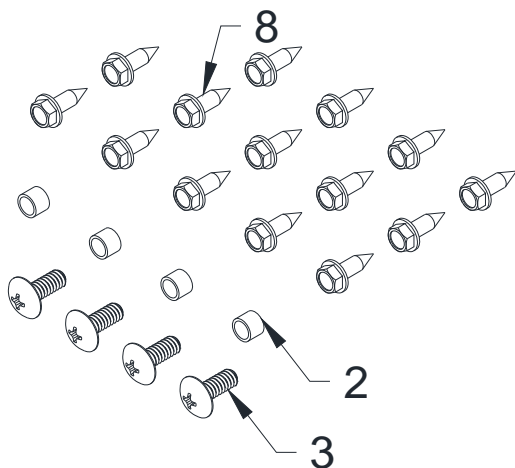
## FV41 GRACE KIT- ARCH SLIM

LIST OF PARTS INCLUDED		
KEY	QTY	DESCRIPTION
<b>GRACE KIT</b>		
1	1	ARCH GRACE
<b>BAG ASSEMBLY, HANGING GRACE</b>		
2	4	SPACER #10 STUD X 1/4"
3	4	SCREW, 10-24 X 1/2"
<b>GUIDES</b>		
4	1	TOP ARCH FINISHING GUIDE
5	1	FINISH GUIDE, LH
6	1	FINISH GUIDE, RH
7	1	BOTTOM GUIDE, SLIM ARCH/RECT
8	16	TEKS, HEX #8 X 1/2" BLACK ZINC

Kit #	Color Scheme
AA-11-01491	BLACK
AA-11-01492	VINTAGE IRON
AA-11-01493	ANTIQUÉ COPPER
AA-11-01494	SWEDISH NICKEL
AA-11-01495	BRUSHED CHROME

<b>TOOLS REQUIRED</b>
Screw Driver
Door Removal Tool (Supplied with fireplace)

Unwrap the Grace Slim Arch Kit carefully and inspect for any shipping damage. If damage is evident, contact your Mendota Dealer. Identify the parts included with the GRACE SLIM ARCH KIT. If any parts are missing, contact your Mendota Dealer before proceeding with this installation and obtain the missing parts.





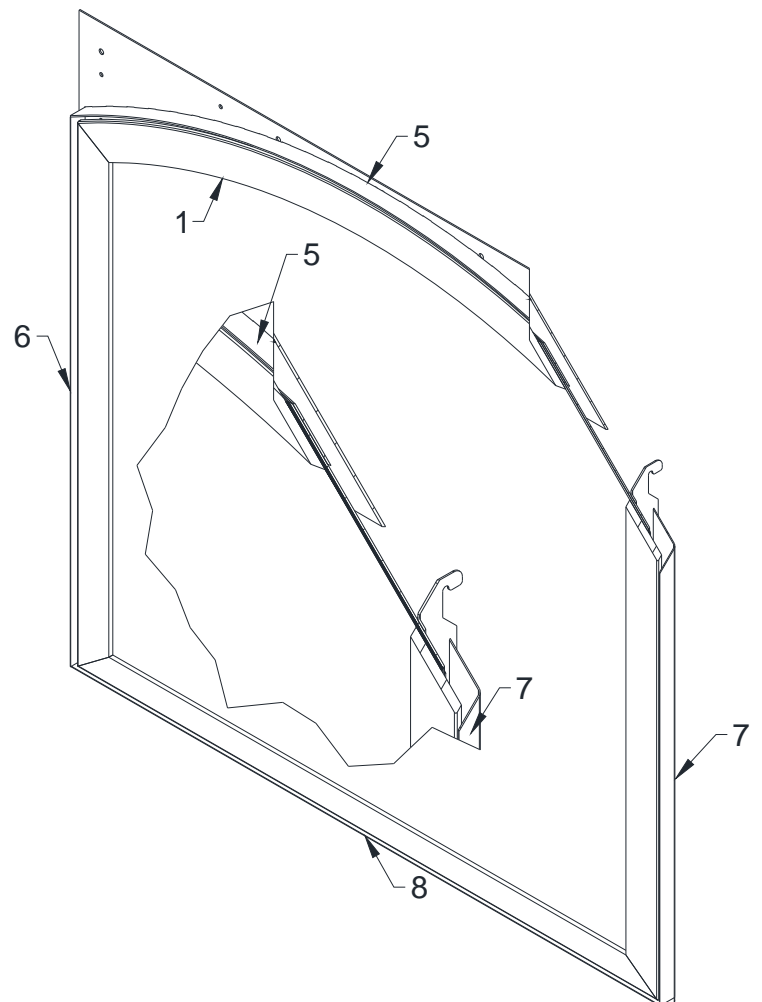
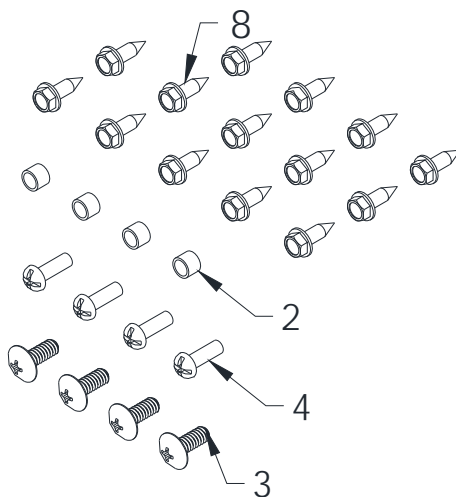
## FV41 GRACE KIT- ARCH WIDE

LIST OF PARTS INCLUDED		
KEY	QTY	DESCRIPTION
<b>GRACE KIT</b>		
1	1	RECTANGLE GRACE
<b>BAG ASSEMBLY, HANGING GRACE</b>		
2	4	SPACER #10 STUD X 1/4"
3	4	SCREW, 10-24 X 1/2"
<b>BAG ASSEMBLY, CONNECTING GRACES</b>		
4	4	SCREW, 10-32 X 1/2" * WIDE ONLY*
<b>GUIDES</b>		
5	1	TOP FINISH GUIDE
6	1	FINISH GUIDE, LH
7	1	FINISH GUIDE, RH
8	1	BOTTOM GUIDE, WIDE ARCH/RECT
9	16	TEKS, HEX #8 X 1/2" BLACK ZINC

Kit #	Color Scheme
AA-11-01486	BLACK
AA-11-01487	VINTAGE IRON
AA-11-01488	SWEDISH NICKEL
AA-11-01489	ANTIQUE COPPER
AA-11-01490	BRUSHED CHROME

TOOLS REQUIRED
Screw Driver
Door Removal Tool (Supplied with fireplace)

Unwrap the Grace Wide Arch Kit carefully and inspect for any shipping damage. If damage is evident, contact your Mendota Dealer. Identify the parts included with the GRACE WIDE ARCH KIT. If any parts are missing, contact your Mendota Dealer before proceeding with this installation and obtain the missing parts.

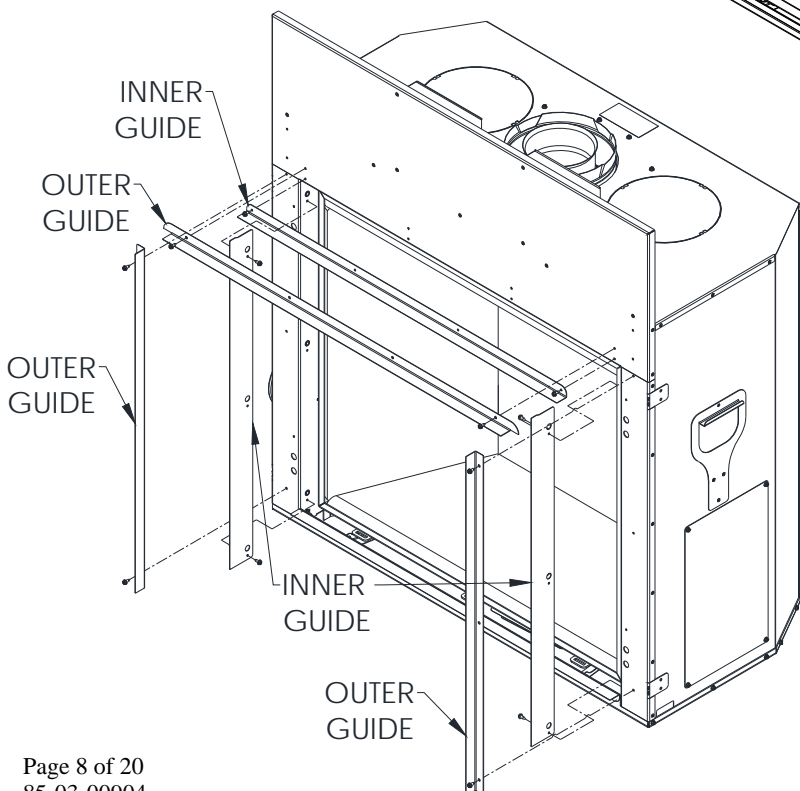
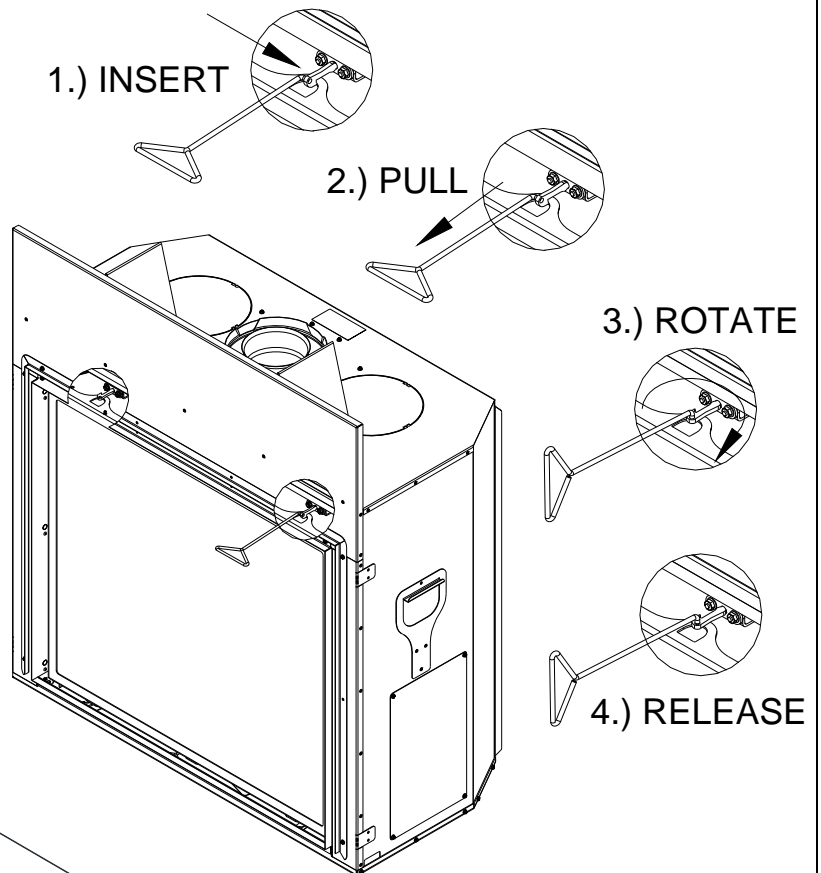


## INSTALLING THE GRACE ON THE FIREPLACE

The Grace Kit for the FV41 quickly hangs directly on Spacers installed to the Fireplace body. The Grace hangs using the spacers and screws, which are provided. This design allows for easy removal and replacement for cleaning and maintenance purposes.

1. Identify the Mounting Brackets which are bolted to the Grace Kit.

2. Remove Glass Frame. Follow the directions that are supplied with the fireplace, use the tool to disconnect the spring latches from the glass frame. Insert tool into hole in latch, pull towards you, rotate clockwise 90° and release to disengage the latch. Perform this operation on both latches. Rotate top of Glass Frame out towards you and pull up to remove.

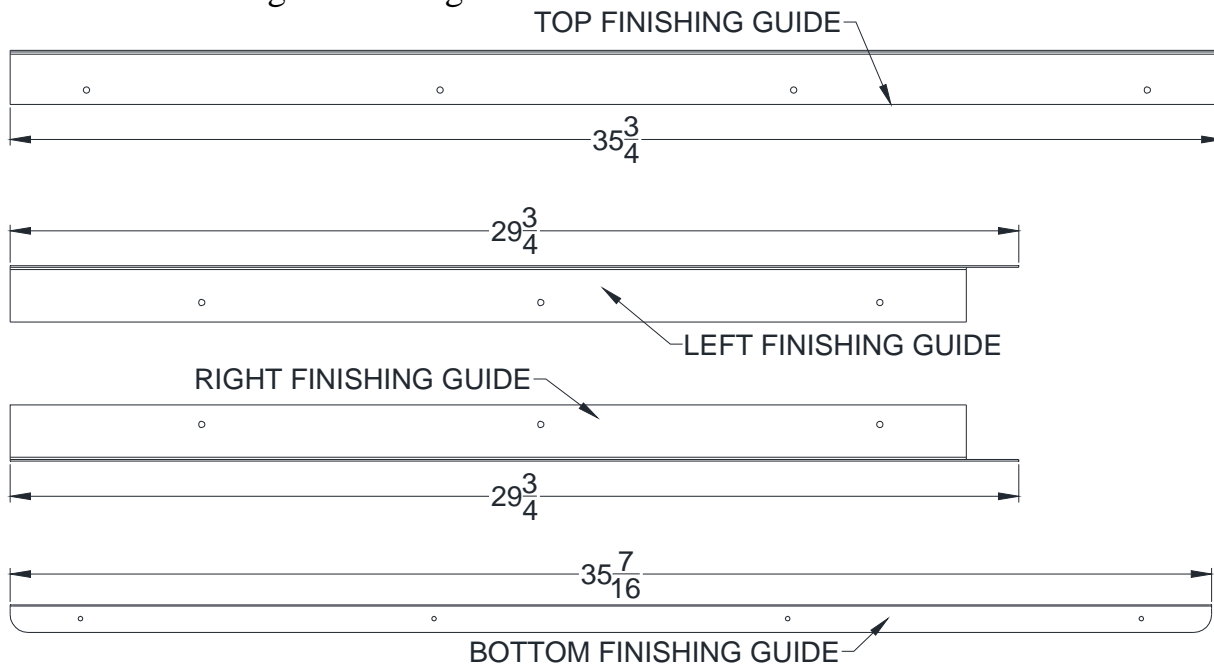


3. Remove the (3) Outer and (3) Inner Guide Plates and all the hardware that secures the Guide Plates to the unit. Once removed these guides they may be disregarded.

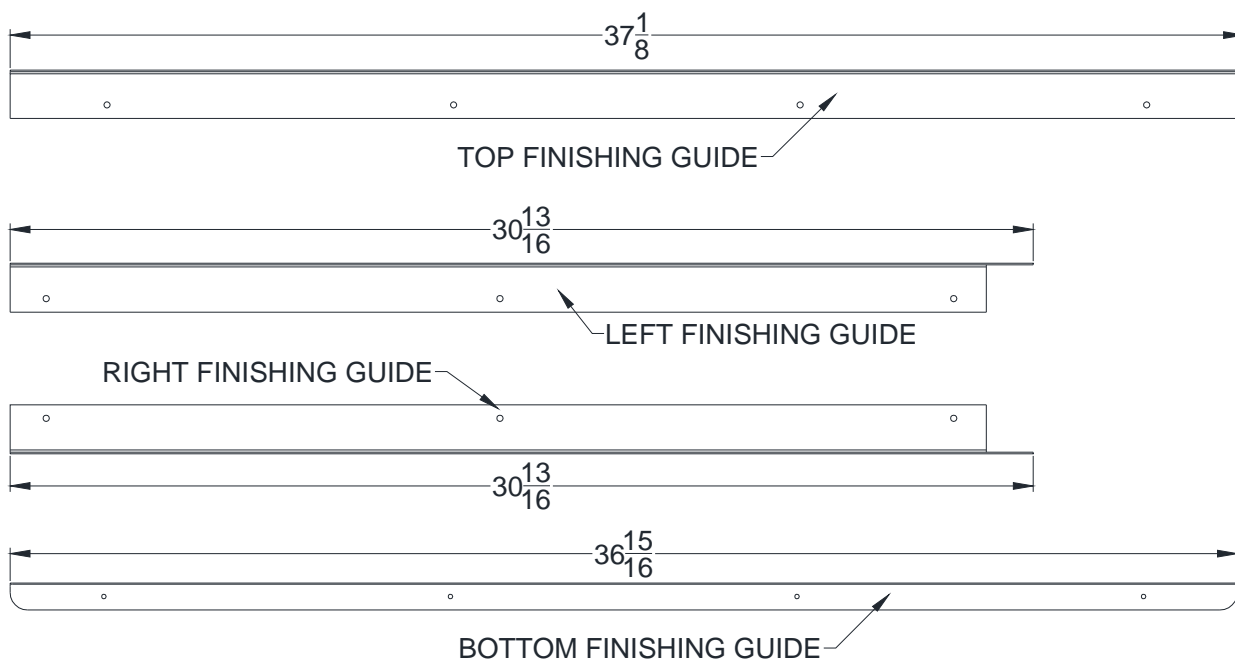


## INSTALLING GRACE FINISHING GUIDES

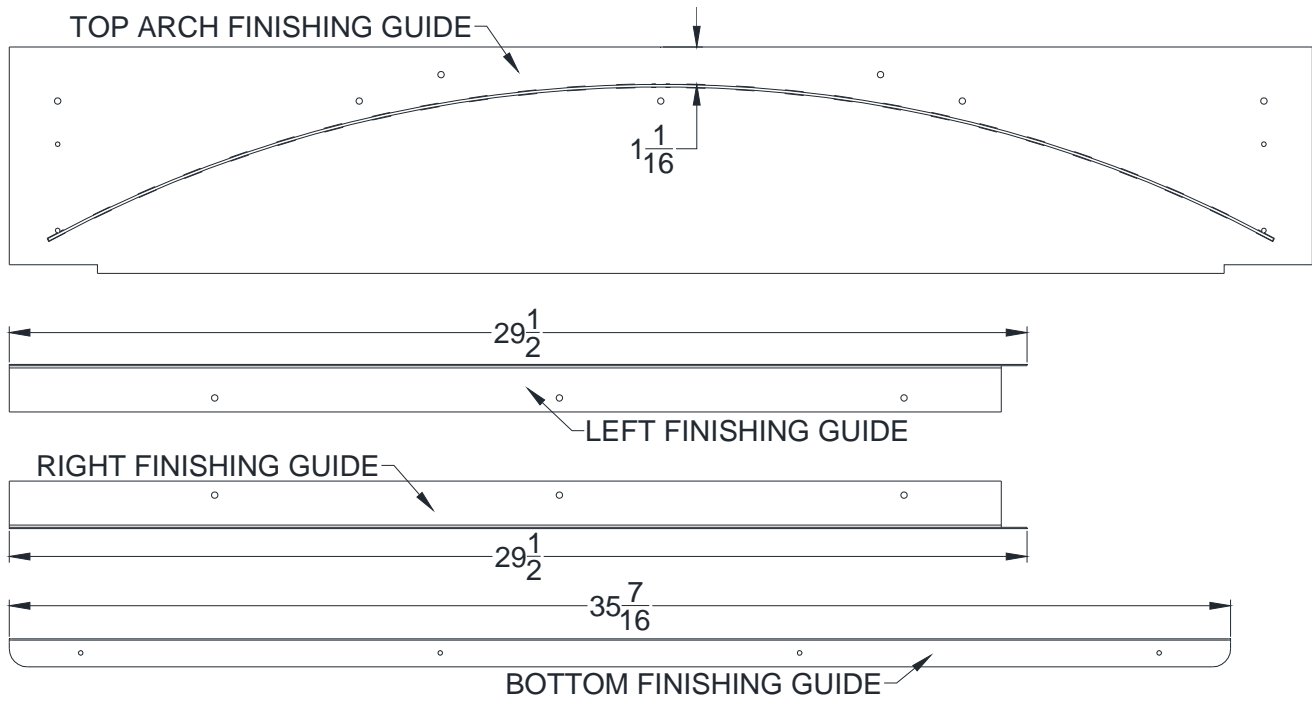
### Grace Slim Rectangle Finishing Guides



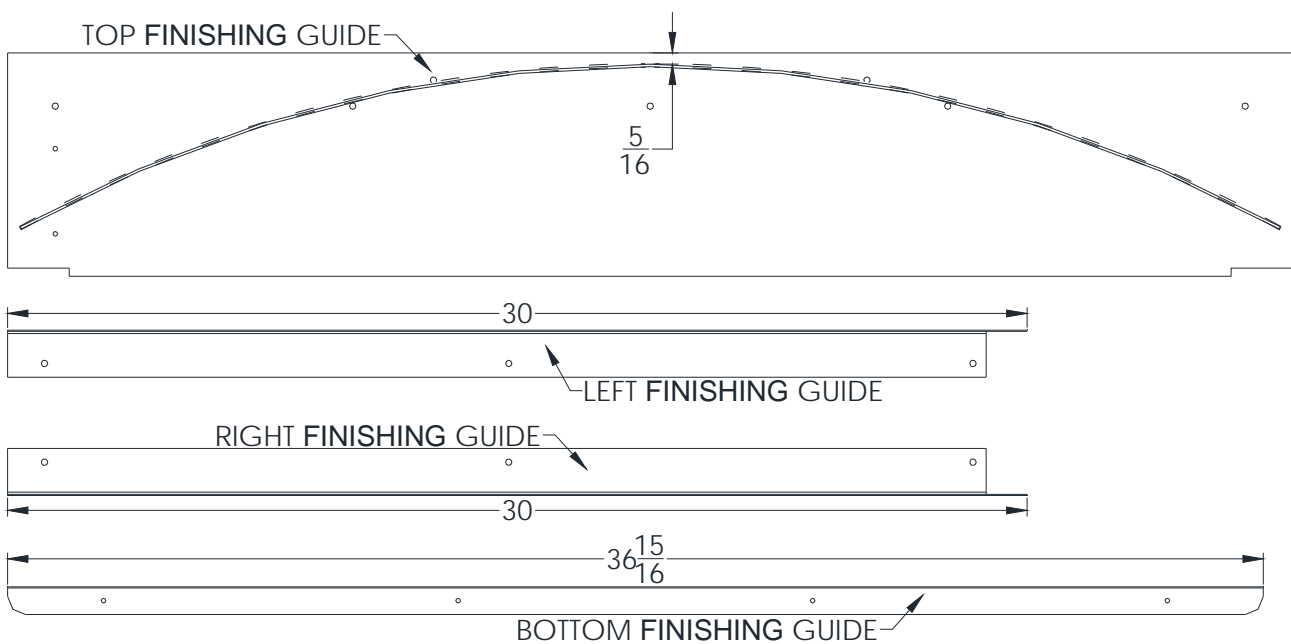
### Grace Wide Rectangle Finishing Guides



## Grace Slim Arch Finishing Guides

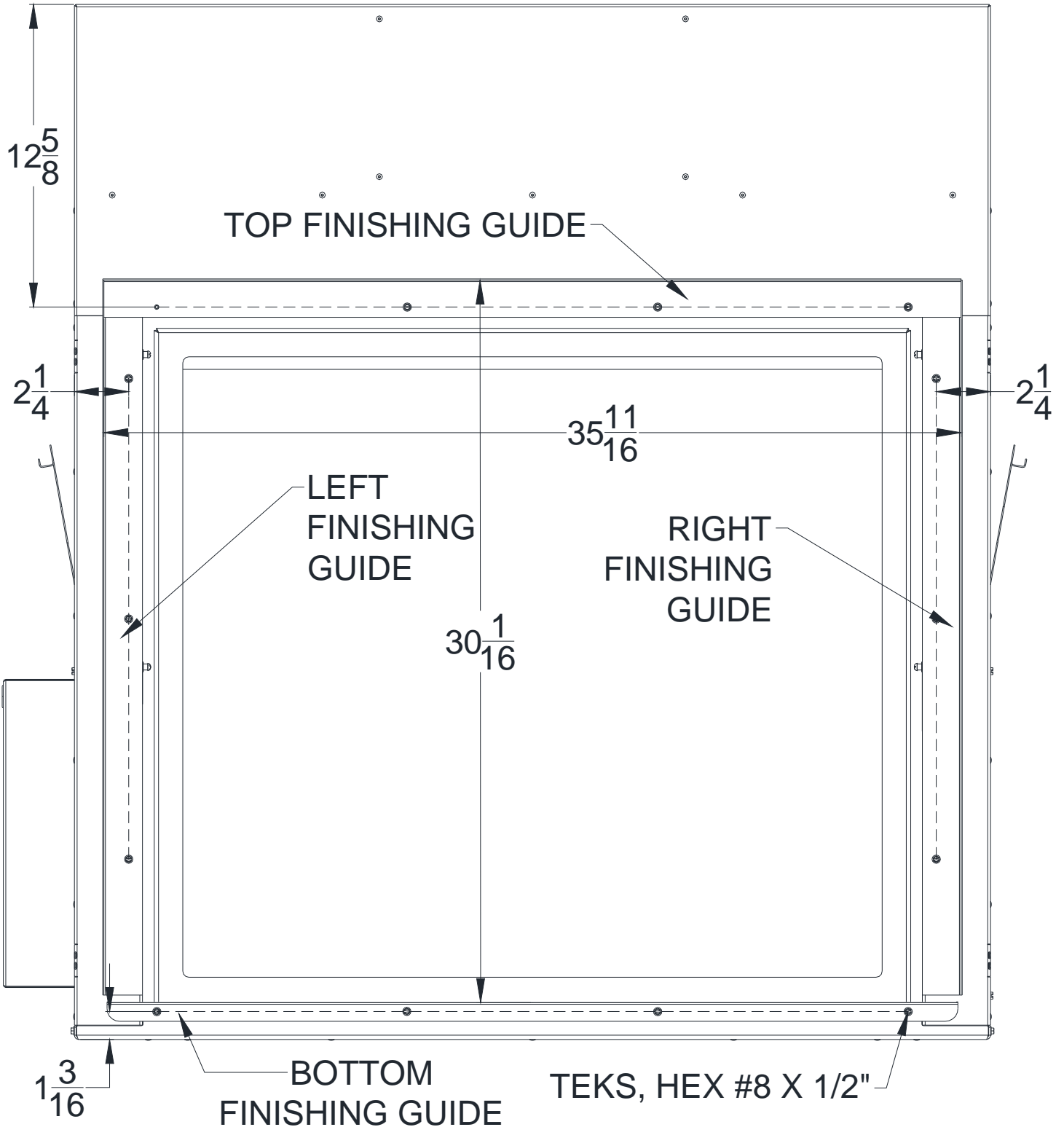


## Grace Wide Arch Finishing Guides



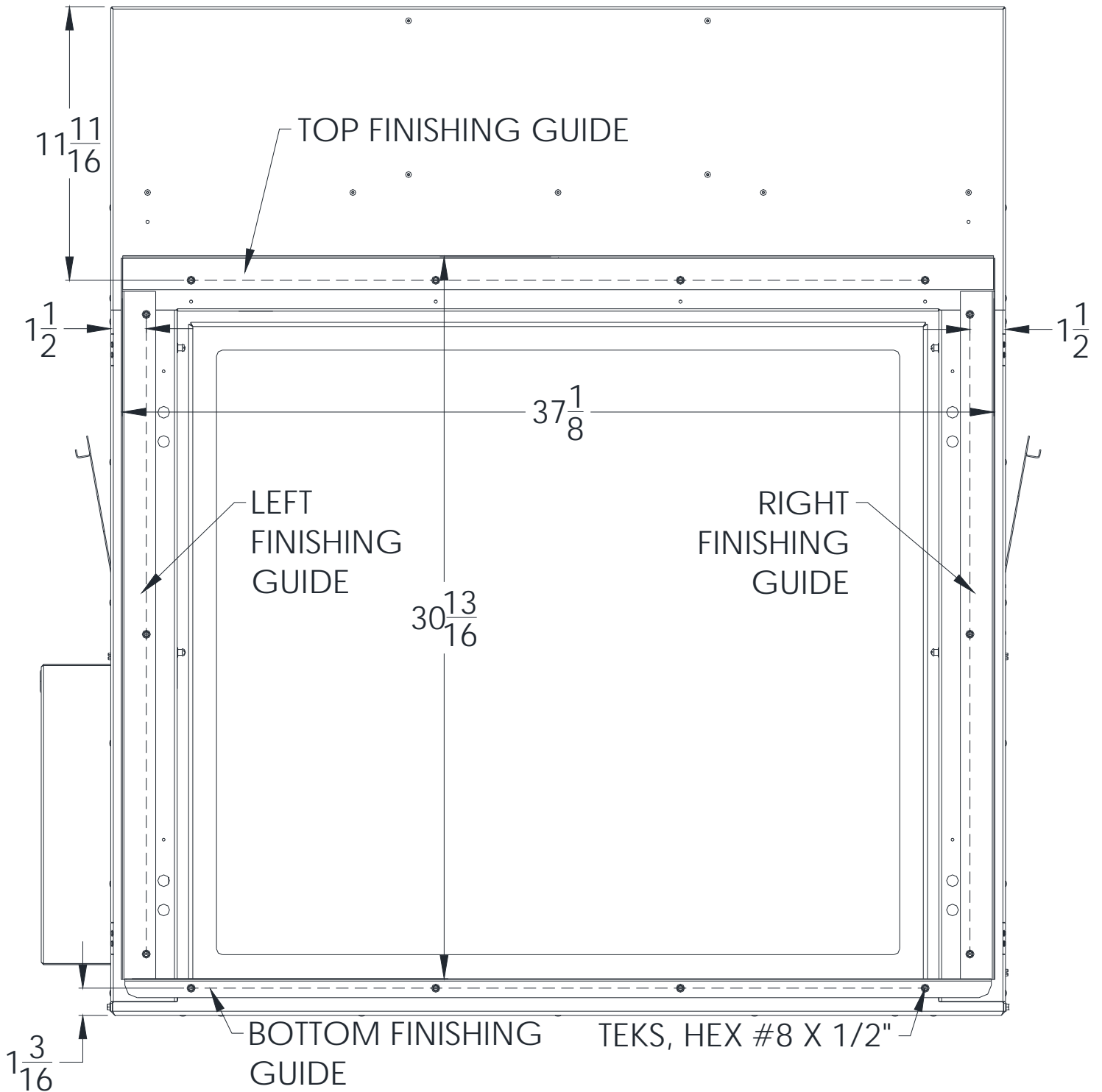
## PLACEMENT FOR GRACE SLIM RECTANGLE FINISHING GUIDES

Attach all finishing guides by using the Sheet Metal Screws that are provided (16) each.



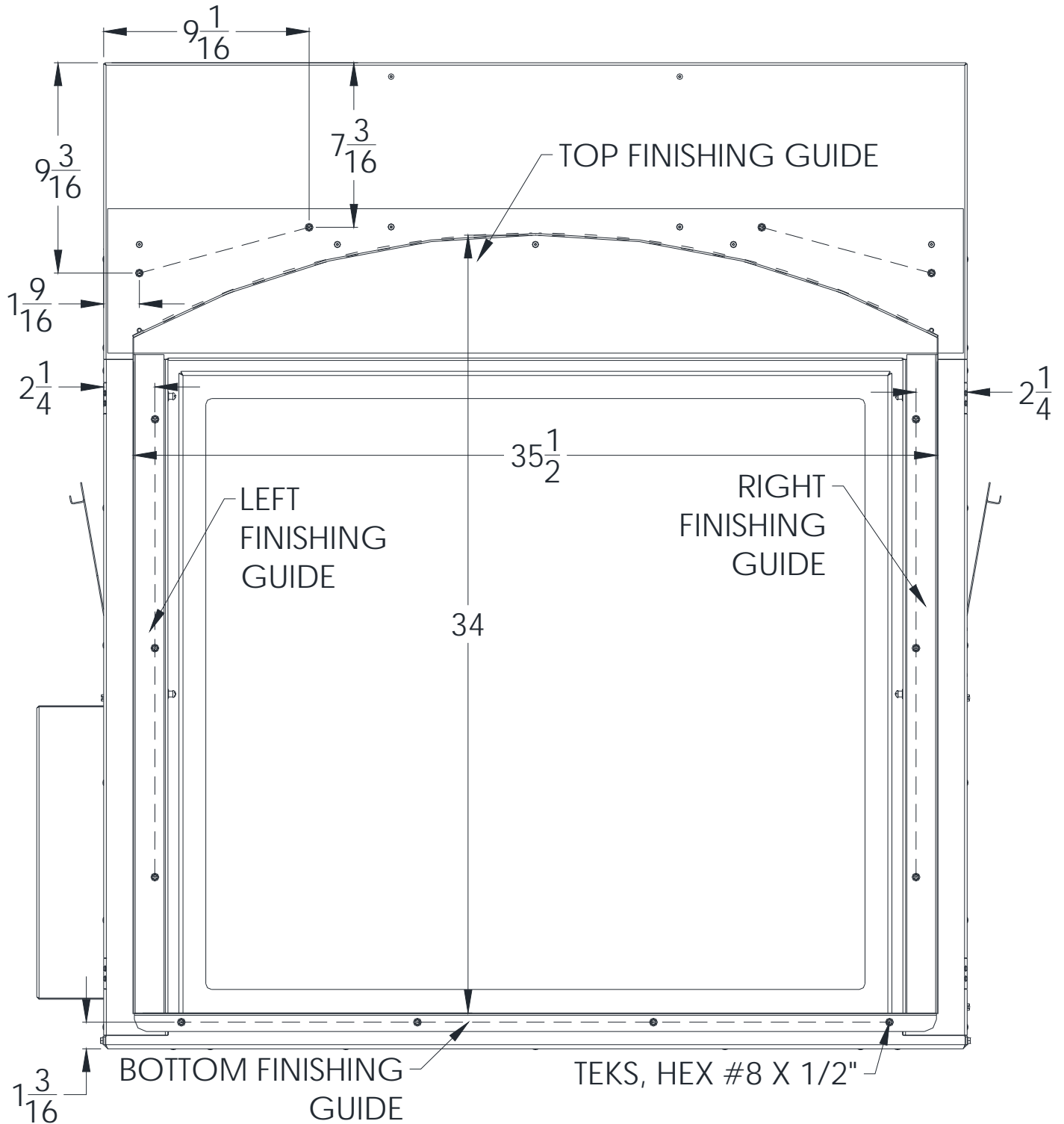
## PLACEMENT FOR GRACE WIDE RECTANGLE FINISHING GUIDES

Attach all finishing guides by using the Sheet Metal Screws that are provided (16) each.



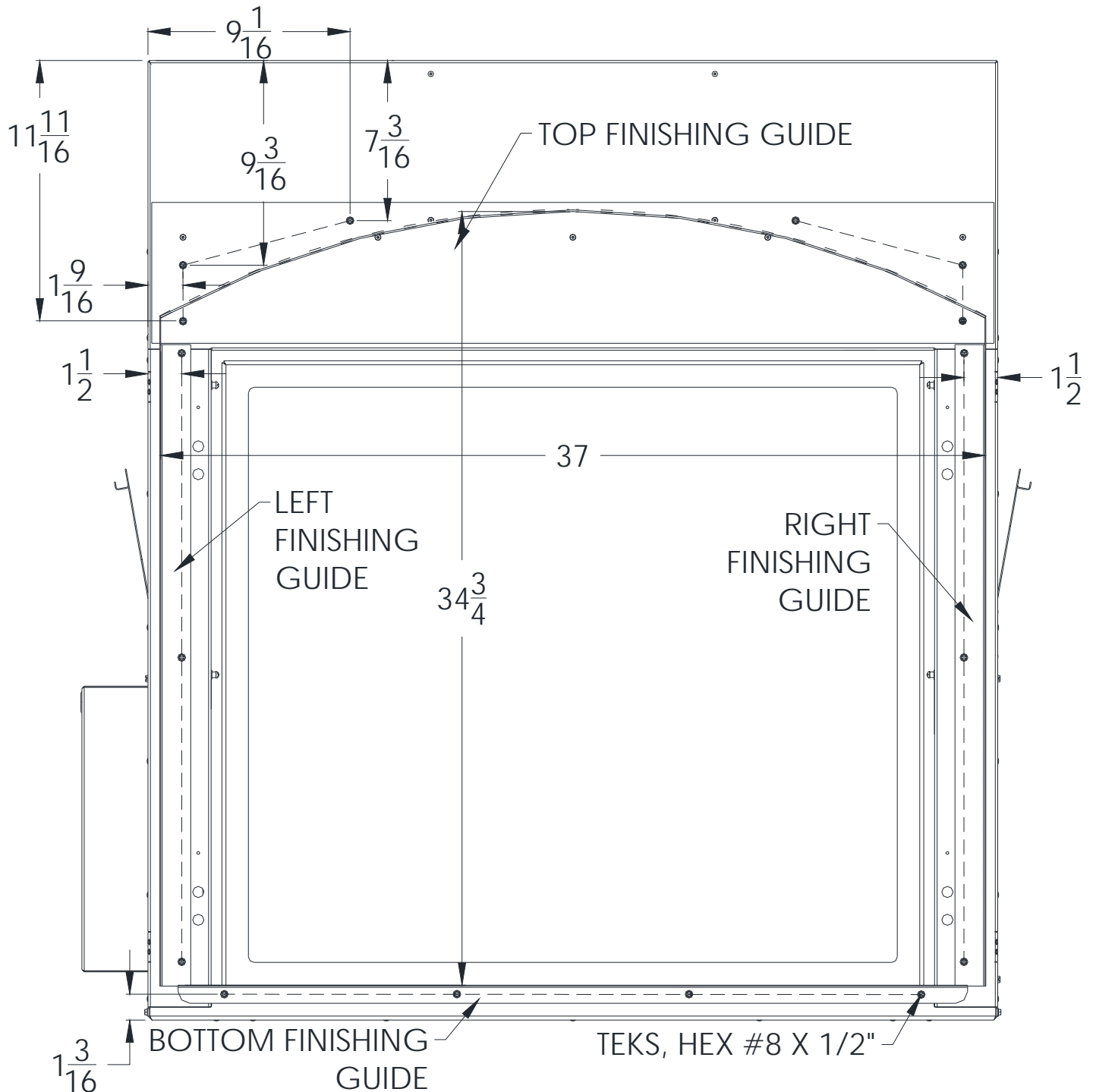
## PLACEMENT FOR GRACE SLIM ARCH FINISHING GUIDES

Attach all finishing guides by using the Sheet Metal Screws that are provided (16) each.



## PLACEMENT FOR GRACE SLIM ARCH FINISHING GUIDES

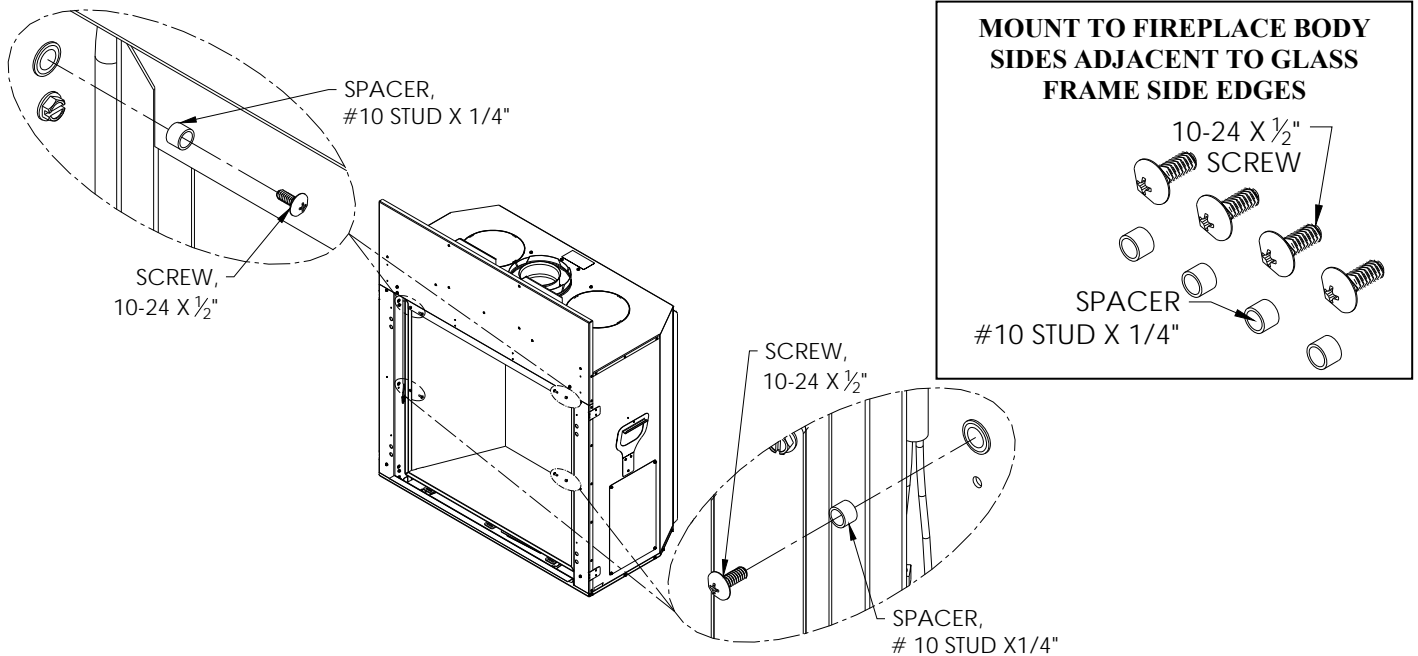
Attach all finishing guides by using the Sheet Metal Screws that are provided (16) each.



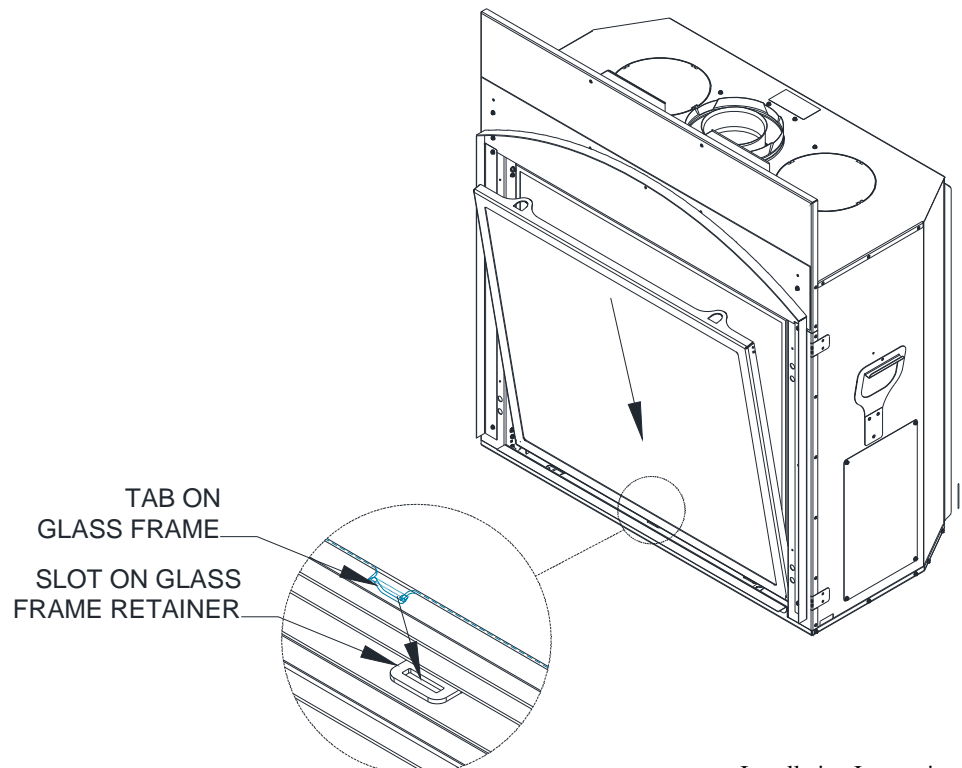


## MOUNTING TO THE FIREPLACE BODY

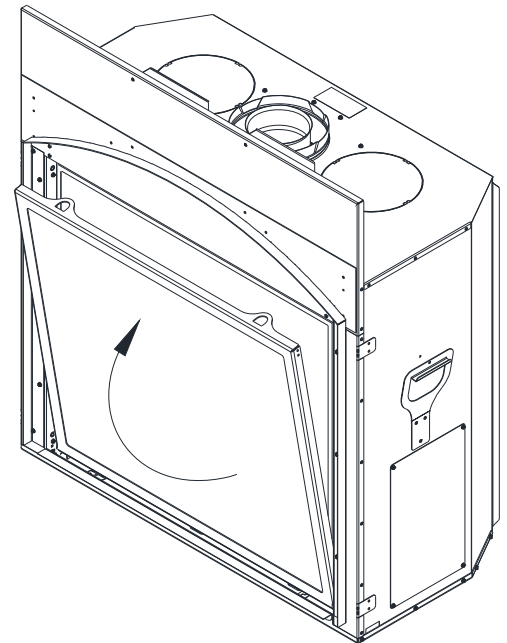
1. Attach the #10 Spacer Stud x 1/4", 10-24 x 1/2" Screw to the Fire Place Body Sides adjacent to the glass frame side edges in 4 places. Locate surround mounting holes per drawing (shown here). The screw and spacer are attached to the outside of the fire place body sides.



2. When all of the Guides have been attached, reattach the Glass Frame to the Fireplace. Line up tabs on Glass Frame with slots on Glass Frame Retainer in (3) places. Position the tabs into the slots.

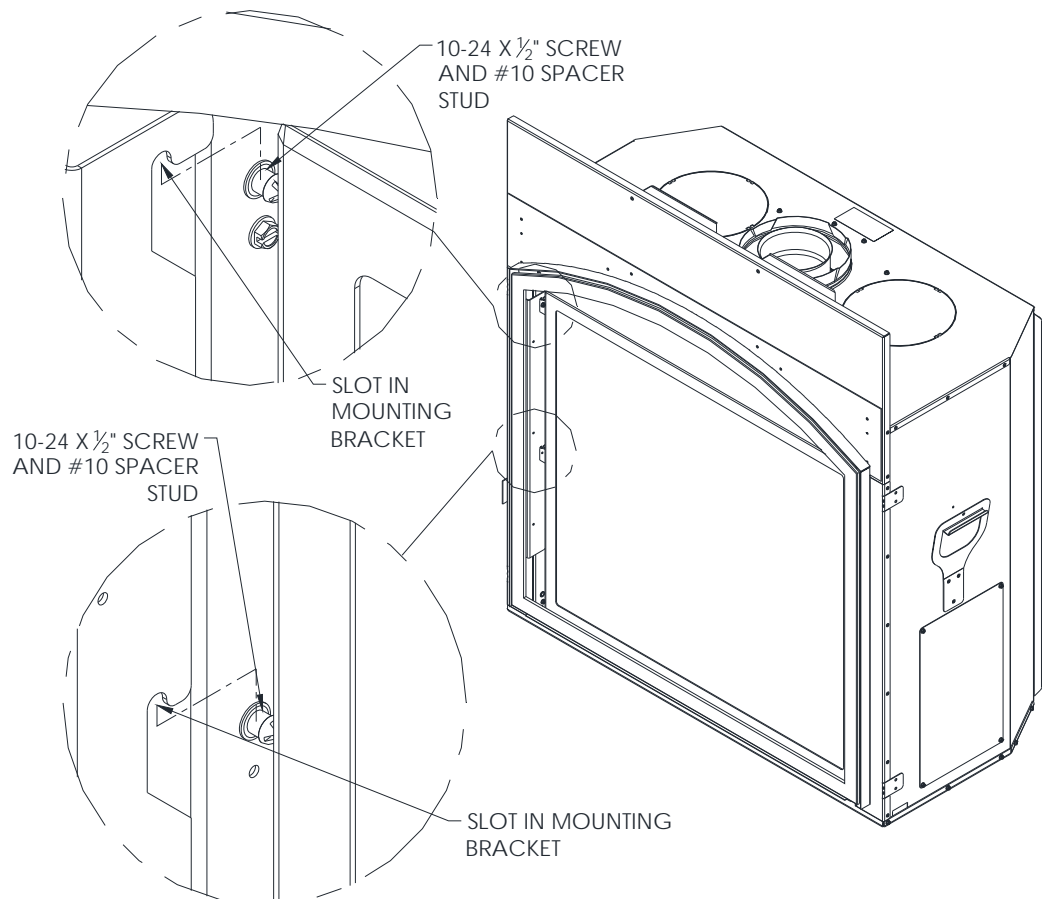


3. Rotate the frame up towards the unit.



4. Hang the Grace Kit by hooking the Open Slots in the Grace's Mounting Bracket to the Screw and Spacer on the Surround. Once in position, the Grace will drop into place in the slots, holding the Grace on the Fireplace Glass Frame.

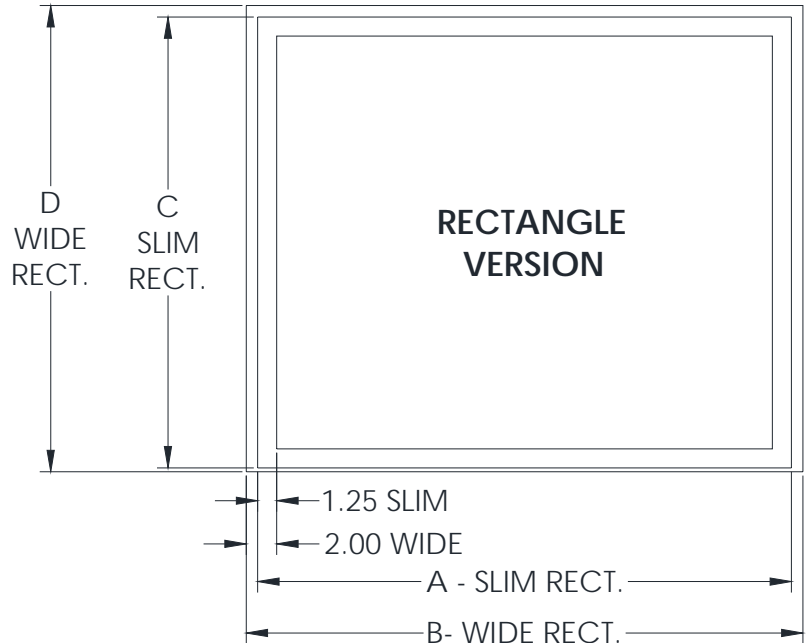
5. To remove the Grace (when necessary), simply lift the Grace assembly up until the slots in the Mounting Bracket disengage, and carefully pull the Grace assembly off the surround.



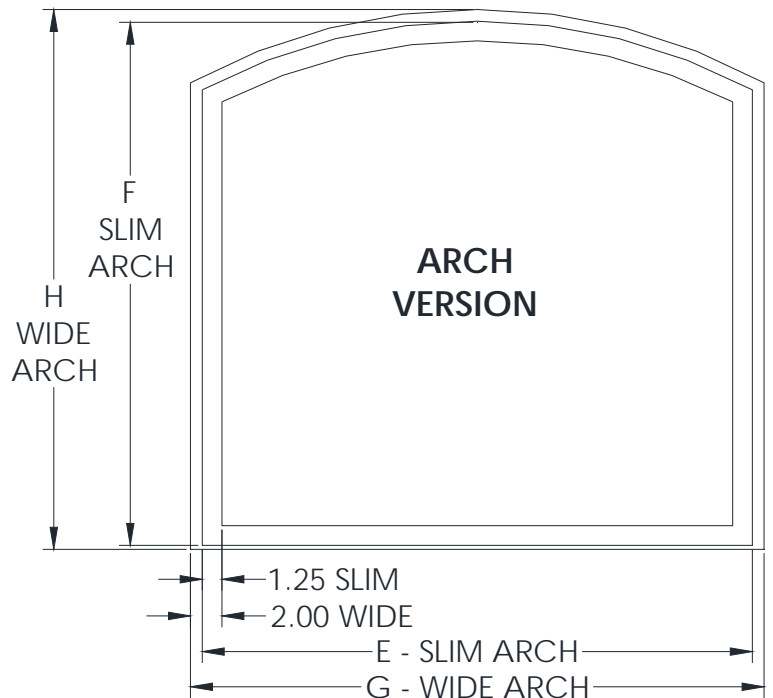
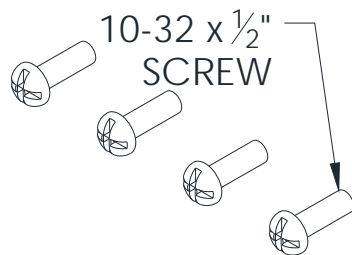
## CONNECTING SLIM GRACE ON TOP OF WIDE GRACE

The following pictures show both a Wide and Slim Grace connected together in both a Rectangle and Arch version. Use the dimensions in the tables below to correctly identify the Grace(s) and ensure you possess the correct parts.

FV41		
	WIDTH	HEIGHT
Slim, Rect.	A - 35"	C - 39-1/2"
Wide, Rect.	B - 36-1/2"	D - 30-1/2"
Slim, Arch	E - 35"	F - 33-5/16"
Wide, Arch	G - 36-1/2"	H - 36-1/2"

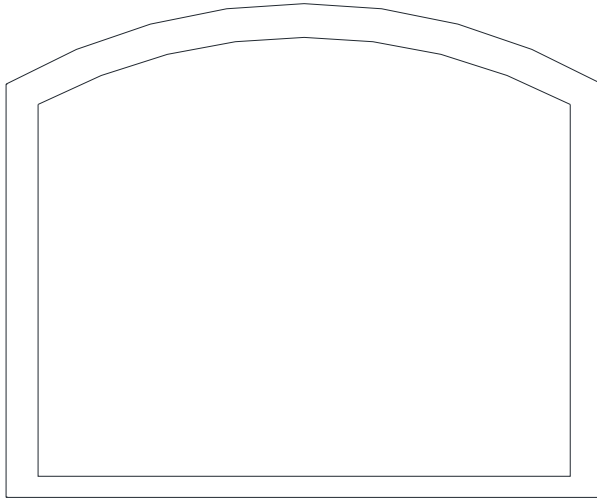


### ONLY USED WHEN ATTACHING A SLIM GRACE ON TOP OF A WIDE GRACE

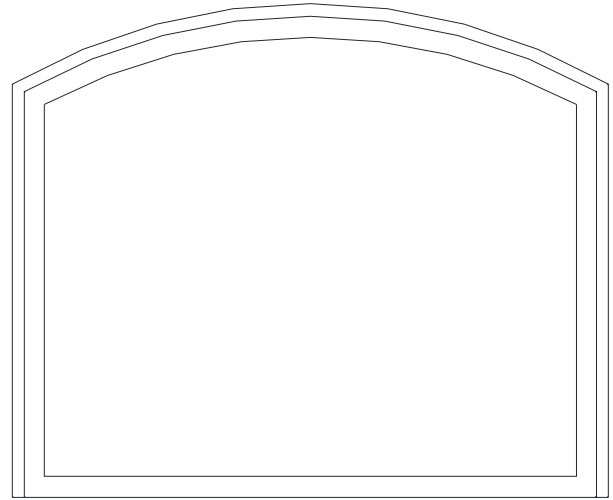


## ASSEMBLING THE WIDE AND SLIM GRACE KITS TOGETHER

There are many color choices for the Grace. They can either be used individually or a Wide and Slim Grace can be assembled together to give a layered look.



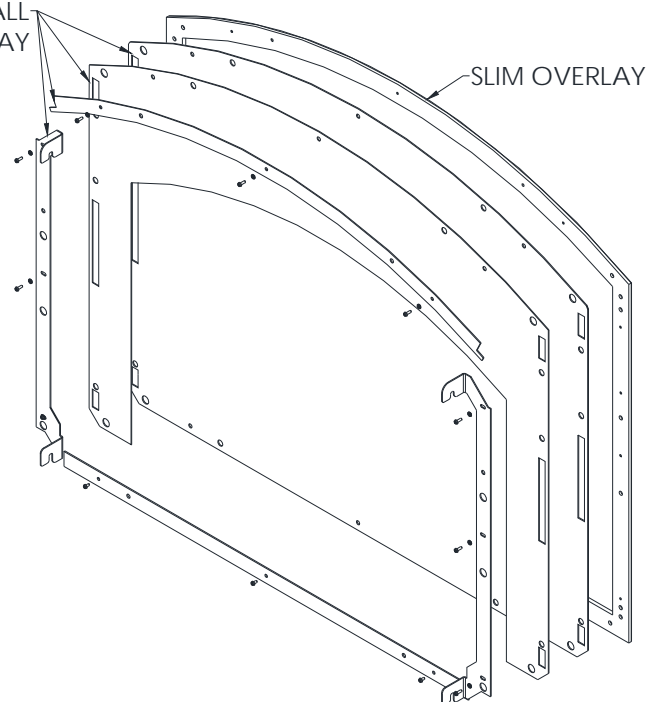
FV41 Arch - Wide Overlay Only



FV41 Arch - Slim and Wide  
Overlay together

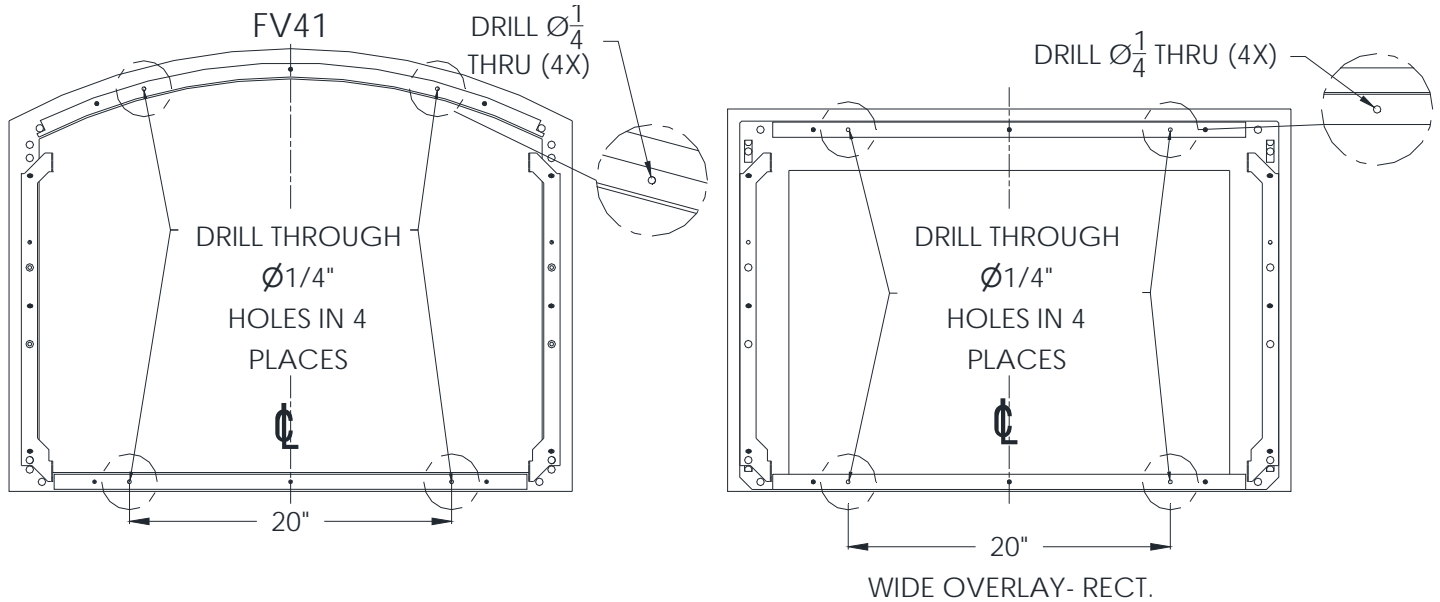
1. Identify the Wide and Slim Graces, the Slim Grace is 1-1/4" wide and the Wide Grace is 2" wide. Both kits come assembled with the mounting brackets and screens on the Graces. Set aside the **Wide Grace** with the brackets assembled. **DO NOT** disassemble the **Wide Grace!**

REMOVE SCREENS, BRACKETS AND ALL  
HARDWARE FROM FROM SLIM OVERLAY

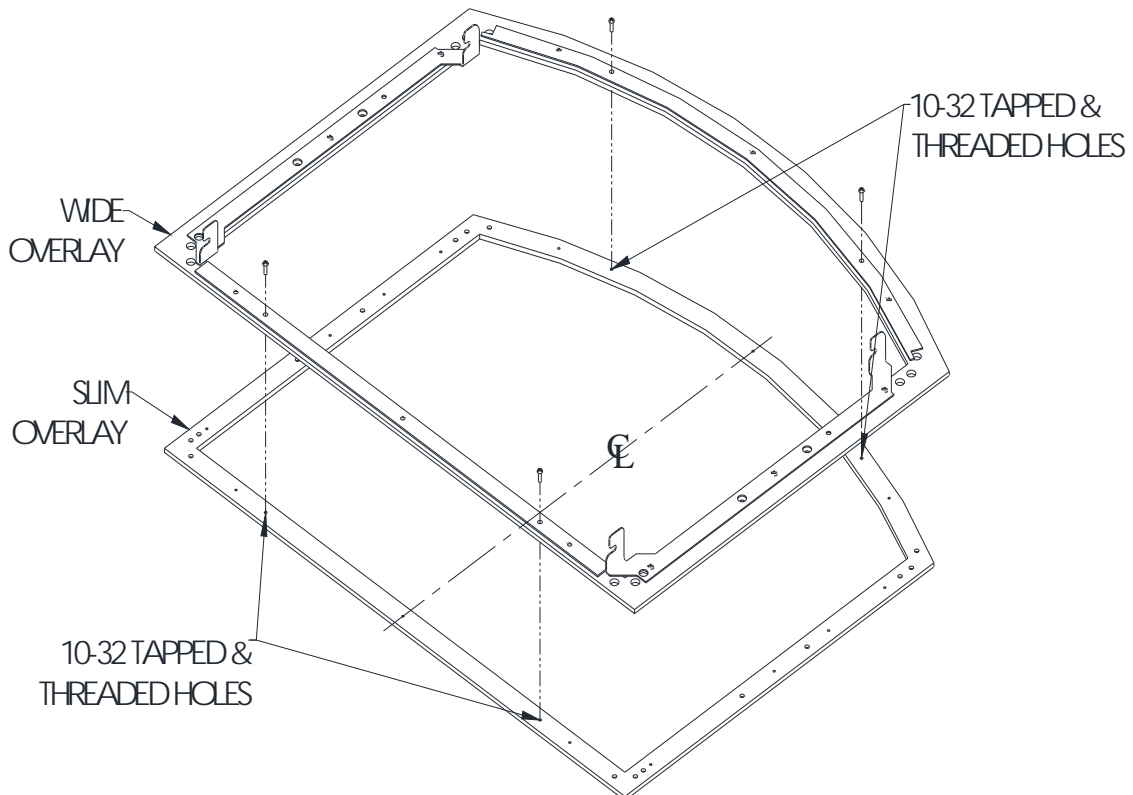


2. Identify the **Slim Grace**. Remove the Screens, Mounting Brackets, and all hardware from the **Slim Grace**. The hardware, screen, & brackets removed from the Slim Grace will **NOT** be used. Set the **Slim Grace** aside.

3. Identify the **Wide Grace**. On the Top and Bottom Screen Retainers, there are (4) places to drill through. Partially drilled  $\frac{1}{4}$ " holes are provided at these locations. Drill  $\frac{1}{4}$ " holes through these (4) holes on the **Wide Grace ONLY**.



4. Lay the **Slim Grace** face down. Place the **Wide Grace** over the Slim Grace and screw together with the (4) Screws provided with the Wide Grace Kit.



## **CLEANING INSTRUCTIONS**

1. Grace Kits for the FV41 fireplace may be removed for cleaning purposes or prior to removing the Fireplace Glass Door for maintenance purposes.
2. If painted, simply wipe with a dry soft cloth. If a plated finish, use denatured alcohol, Isopropyl alcohol or glass cleaner solution and a soft cloth to remove any dirt and finger prints from the plated surface. **DO NOT USE AN ABRASIVE PAPER TOWEL OR OTHER ABRASIVE MEDIA TO WIPE.**

## **ANTIQUÉ COPPER KITS HANDLING AND MAINTENANCE INSTRUCTIONS**

**These Instructions are applicable to ALL Mendota Antique Copper Plated Decorative Products produced and released for use after August 10, 2010.**

### **HANDLING DURING ASSEMBLY**

*This new Antique Copper Kit has been thoroughly redesigned for ease of cleaning and handling and for long term use without change in color or the formation of oxidation. While the new Antique Copper Plating is resistant to tarnish, oxidation and discoloration, it is susceptible to surface scratches and marring and must be handled with extreme care during installation and normal use.*

### **ALWAYS WEAR SOFT & CLEAN CLOTH GLOVES DURING INSTALLATION**

*It is mandated by Mendota that all installers wear soft and clean cloth gloves to handle ALL Antique Copper Plated parts during assembly to the main Fireplace body.*

### **CLEAN UP AFTER INSTALLATION**

*Prior to firing the appliance with the Antique Copper Kit installed, Mendota mandates that the entire visible surface of the Antique Copper Kit be wiped down using a soft cotton cloth rag and common household glass cleaner solution. **DO NOT USE PAPER TOWELS AND DO NOT APPLY PRESSURE** on the Antique Copper Surface when wiping. Doing so may mar the Copper Finish. Use gentle sweeps in the direction of the brush marks to remove any dirt or finger prints.*

### **NORMAL MAINTENANCE**

*This new Antique Copper Plated Decorative Kit requires minimal maintenance. Wipe off any finger prints using normal household glass cleaner solution and a soft cotton cloth rag. **DO NOT** apply pressure on the Antique Copper Kit when wiping. Doing so may mar the Copper Finish. Use gentle sweeps in the direction of the brush marks to remove any dirt or finger prints.*

**ALWAYS WEAR SOFT CLEAN CLOTH GLOVES!**

**DO NOT USE ANY ABRASIVE MEDIA!**

**DO NOT USE PAPER TOWELS TO WIPE THE SURFACE!**

**DO NOT APPLY ANY PRESSURE WHILE CLEANING!**

**DO NOT SAND ANY ANTIQUE COPPER FINISH!**