

# FV44 & FV33 GRACE KIT INSTALLATION INSTRUCTIONS

# MENDOTA

AMERICA'S LUXURY FIREPLACE

LIST OF INCLUDED PARTS	
QTY	DESCRIPTION
1	GRACE KIT (NOT SHOWN)
<b>BAG ASSEMBLY, HANGING OVERLAY</b>	
4	BARREL NUTS
4	LOCK WASHERS
4	8-32 SCREWS, SLOT HEAD
<b>BAG ASSEMBLY, CONNECTING OVERLAYS</b>	
4	10-32 X 1/2" SCREWS

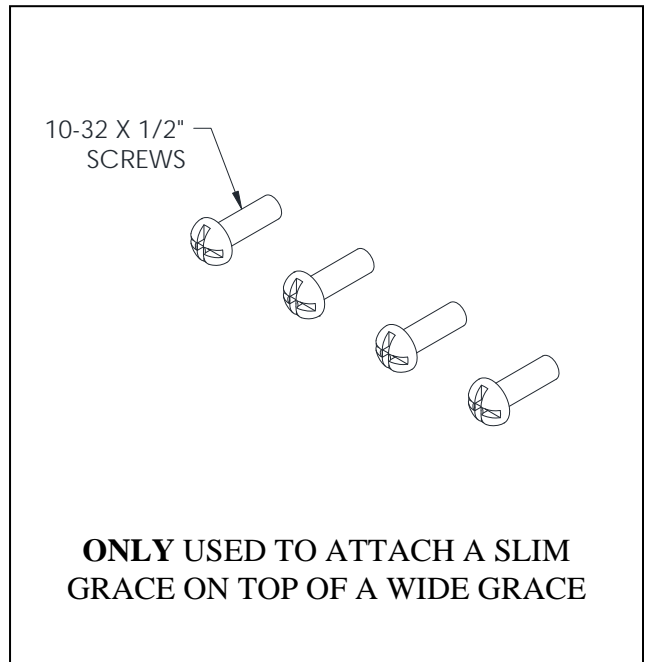
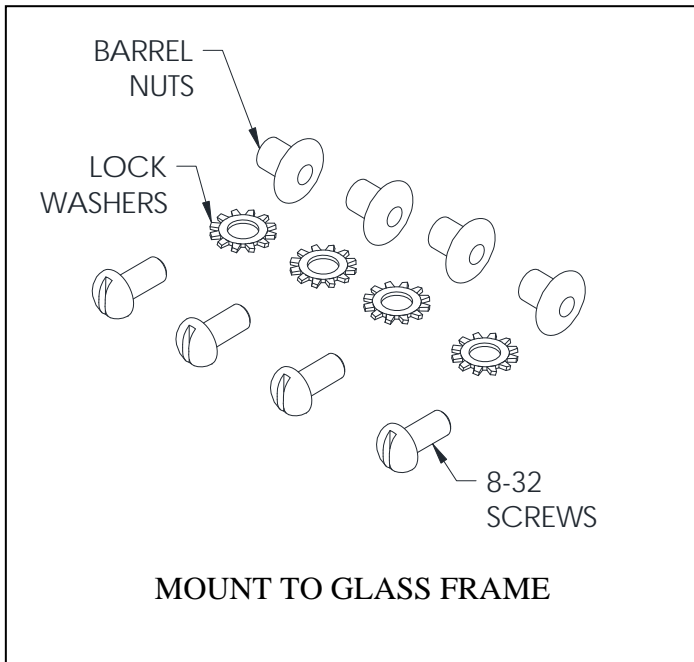
TOOLS REQUIRED
Screw Driver
Door Removal Tool (Supplied with fireplace)

**General Cleaning & Maintenance:** Spray a glass cleaner solution on a dry soft cloth and wipe the Overlay to remove any dirt and finger prints from the surface. **DO NOT** use an abrasive cleaner or a cleaner that contains ammonia as an ingredient.

**CAUTION**  
Mendota recommends that clean cloth gloves be worn when assembling or mounting any decorative front to prevent finger prints from damaging the surfaces and to minimize the cleaning effort.

Unwrap the GRACE KIT carefully and inspect for any shipping damage. If damage is evident, contact your Mendota Dealer. Identify the parts included with the GRACE KIT. If any parts are missing, contact your Mendota Dealer before proceeding with this installation and obtain the missing parts.

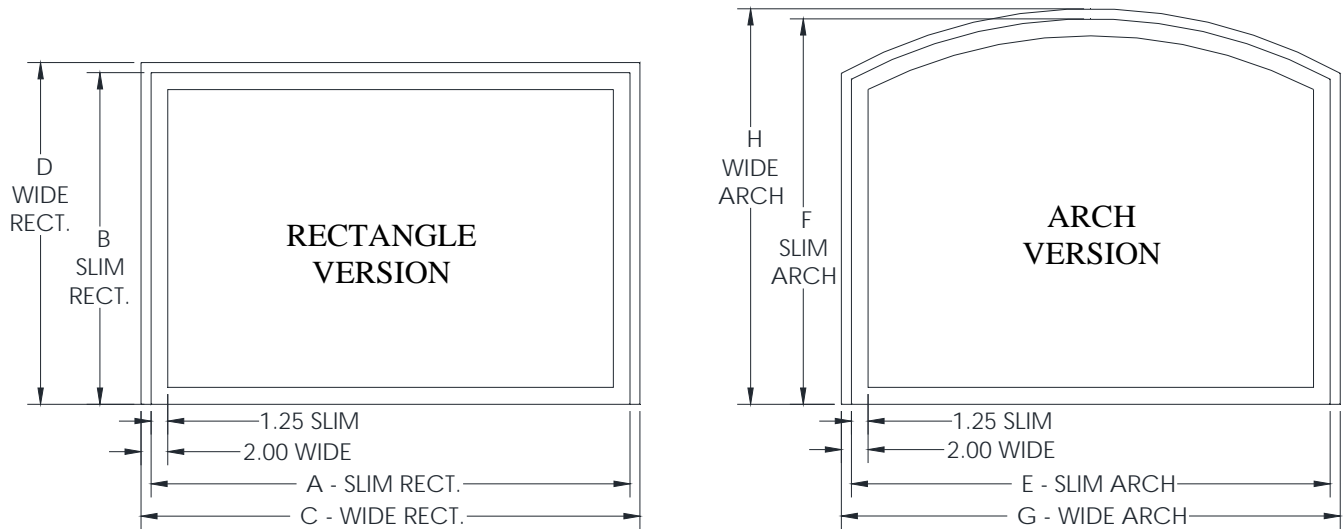
**NOTE: THESE INSTRUCTIONS APPLY TO BOTH THE FV44 & FV33 MODELS. THE IMAGES ARE DEPICTIONS ONLY AND YOUR OVERLAY MAY LOOK DIFFERENT THAN THE ONE SHOWN.**



# FV44 & FV33 GRACE KIT INSTALLATION INSTRUCTIONS

## INTRODUCTION

The Grace for the FV44 & FV33 quickly hangs directly on the Fireplace Glass Frame. The Overlay hangs on the Glass Frame using field installed Barrel Nuts. This design allows for easy removal for cleaning and maintenance purposes. The following pictures show a Wide and a Slim GRACE overlaid together in both a Rectangle and Arch styles. Use the dimensions in the tables below to correctly identify the Grace Kit(s) and ensure you possess the correct parts.



FV44		
	WIDTH	HEIGHT
Slim, Rect.	A - 35-7/8"	B - 24-17/32"
Wide, Rect.	C - 37-3/8"	D - 25-9/32"
Slim, Arch	E - 35-7/8"	F - 28-17/32"
Wide, Arch	G - 37-3/8"	H - 29-9/32"

FV33		
	WIDTH	HEIGHT
Slim, Rect.	A - 31-1/2"	B - 19-1/4"
Wide, Rect.	C - 33"	D - 20"
Slim, Arch	E - 31-1/2"	F - 33"
Wide, Arch	G - 23-1/32"	H - 23-25/32"

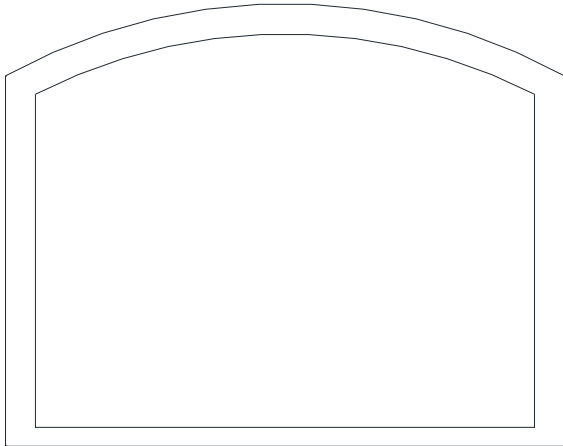
# FV44 & FV33 GRACE KIT INSTALLATION INSTRUCTIONS

# MENIOTA

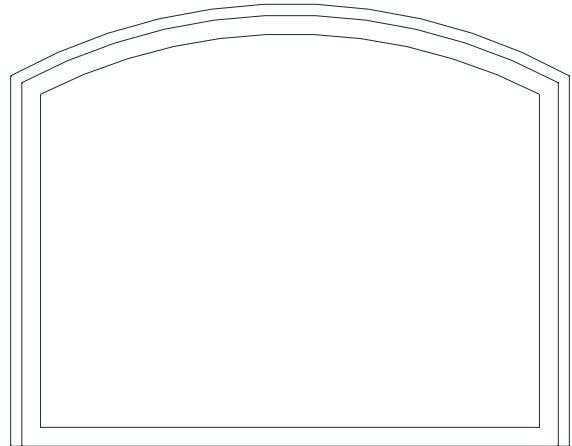
AMERICA'S LUXURY FIREPLACE

## ASSEMBLING THE WIDE AND SLIM GRACE - TOGETHER

There are many color choices for the Grace. They can either be used individually or a Wide and Slim Overlay can be assembled together to give a layered look. If you are using either the Wide Overlay or the Slim Overlay individually, please proceed to the “**Installing the Overlay onto the Fireplace**” section.

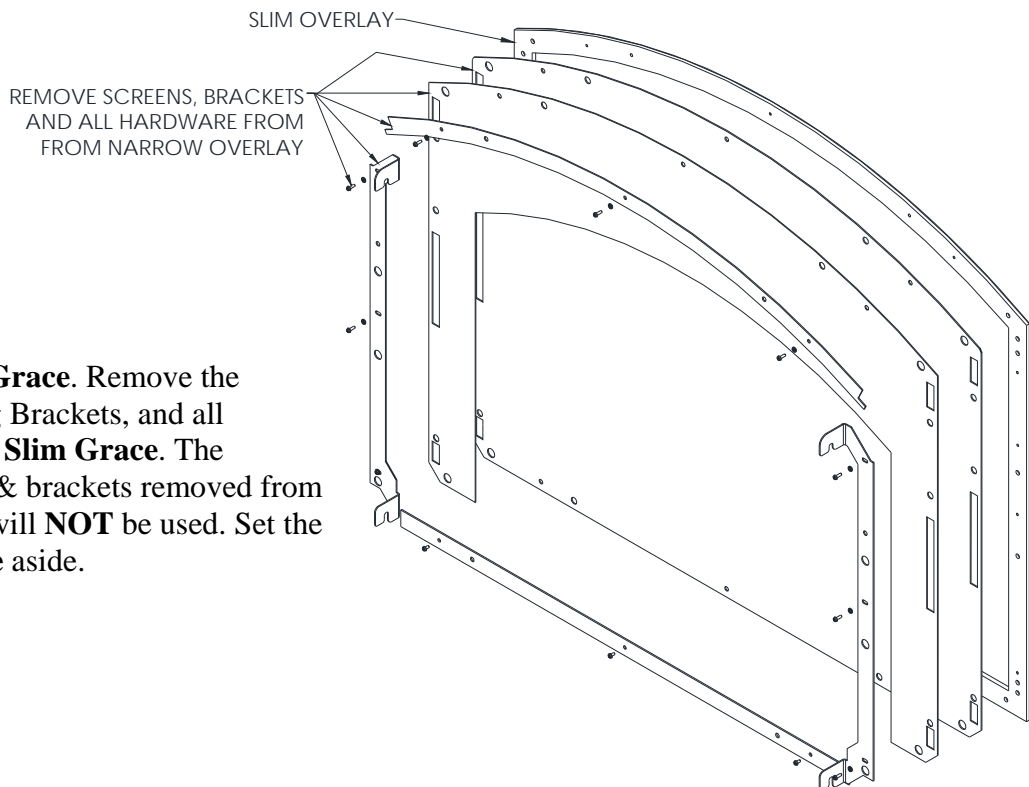


FV44 Arch – Wide Overlay Only



FV44 Arch Wide & Slim together

1. Identify the Wide and Slim Grace Kits. The Slim Grace is 1-1/4” wide and the Wide Grace is 2” wide. Both kits come assembled with mounting brackets. Set aside the **Wide Overlay** with the brackets assembled. **DO NOT** disassemble the **Wide Overlay**!



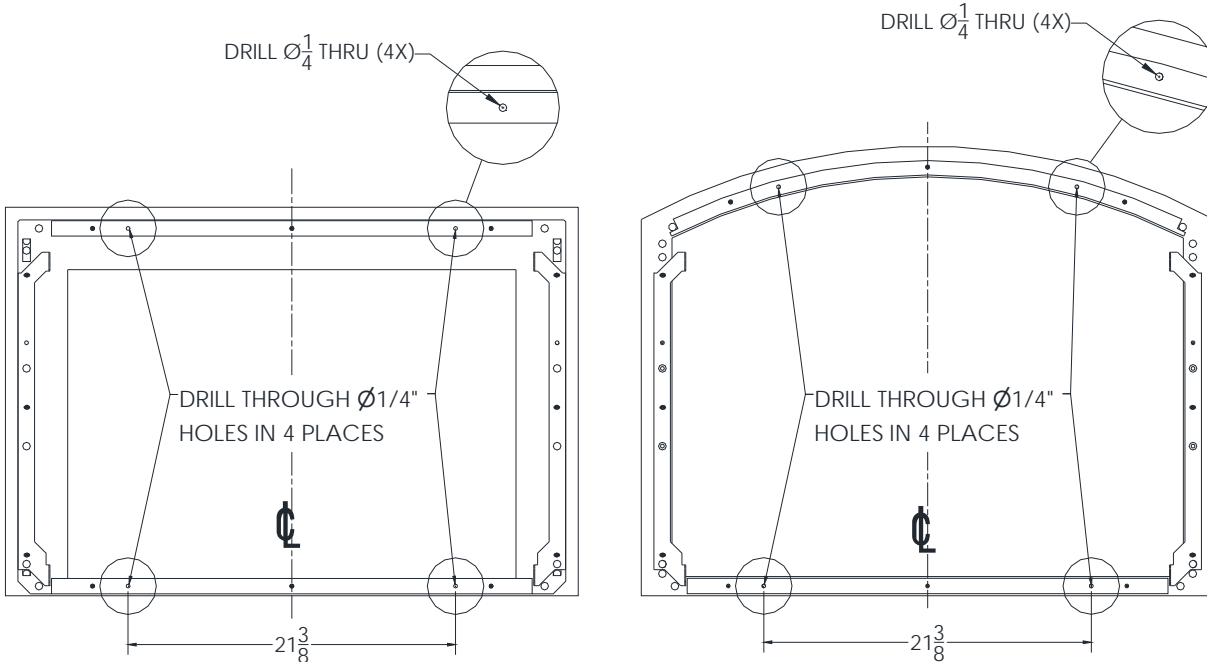
2. Identify the **Slim Grace**. Remove the Screens, Mounting Brackets, and all hardware from the **Slim Grace**. The hardware, screen, & brackets removed from the Slim Overlay will **NOT** be used. Set the **Slim Grace frame** aside.

# FV44 & FV33 GRACE KIT INSTALLATION INSTRUCTIONS

# MENIOTA

AMERICA'S LUXURY FIREPLACE

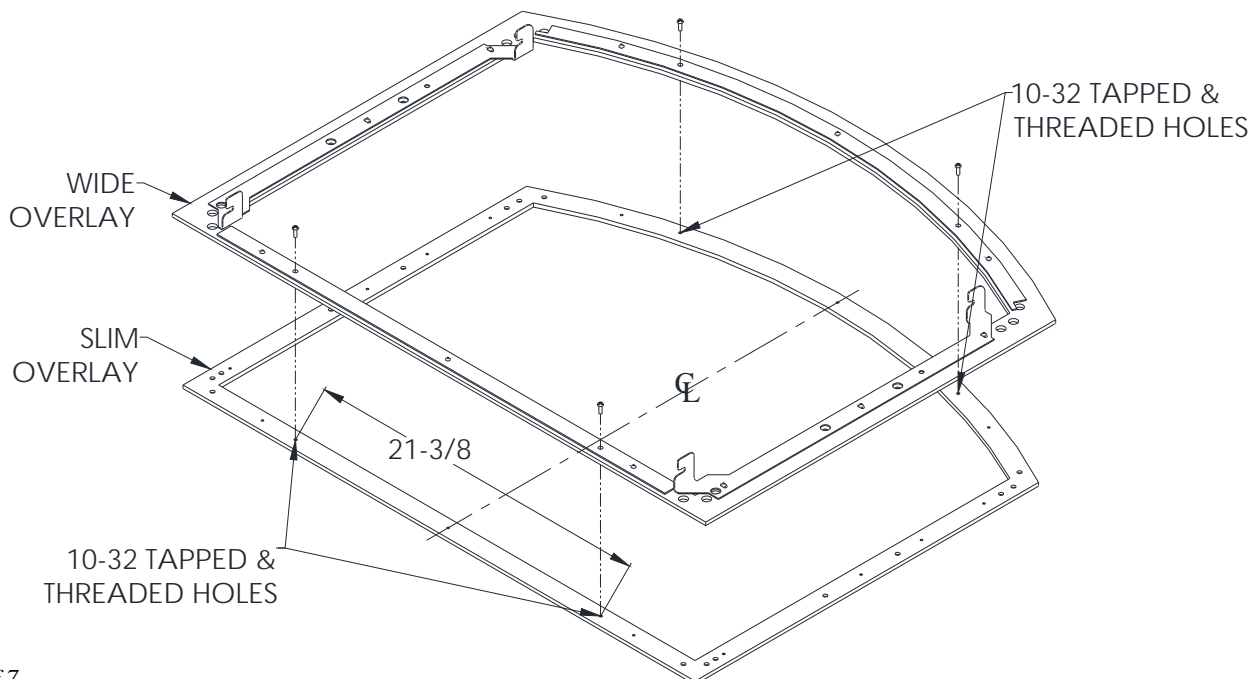
3. Identify the **Wide Grace**. On the Top and Bottom Screen Retainers [which are mounted to the back of the Wide Grace], there are (4) 1/4" holes provided to drill through. Partially drilled 1/4" holes are provided at these locations in the Wide Grace Frame back surface. Drill 1/4" holes through these (4) holes on the **Wide Grace ONLY**.



Wide Grace – Rect.

Wide Grace – Arch

4. Lay the **Slim Grace frame** face down. Place the **Wide Grace** over the Slim Grace and secure the two frames together using the (4) Screws provided with the Wide Grace Kit.



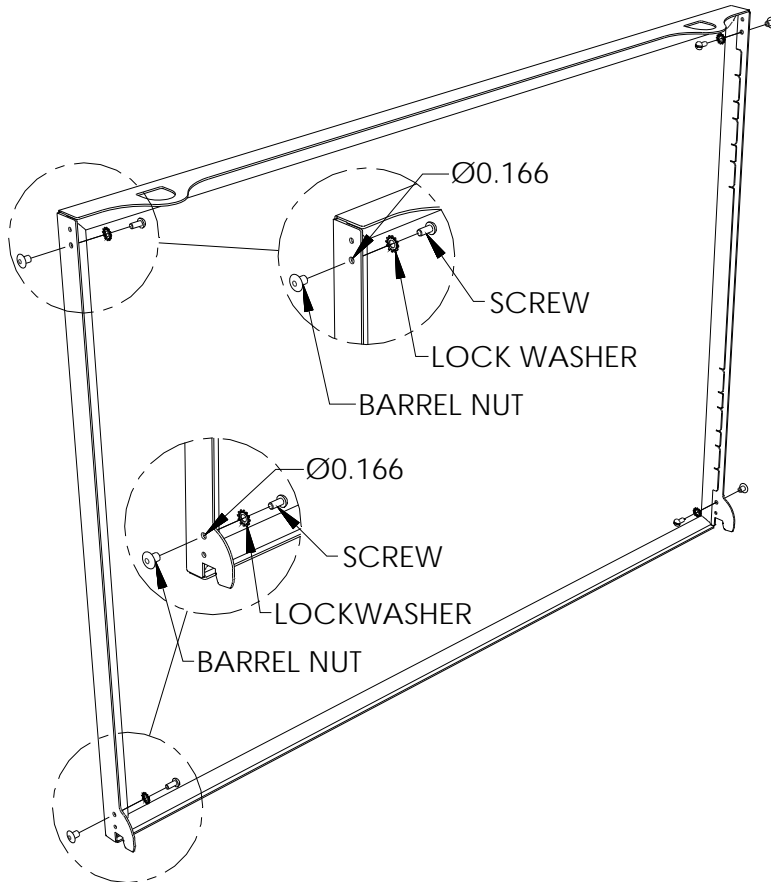
# FV44 & FV33 GRACE KIT INSTALLATION INSTRUCTIONS

# MENIOTA

AMERICA'S LUXURY FIREPLACE

## INSTALLING THE GRACE ON THE FIREPLACE

1. Remove the Glass Frame with Glass from the Fireplace. Use the Glass Latch Tool and instructions supplied with the fireplace.



2. Attach the Barrel Nut, Lock Washer, and Screw to the Glass Frame in 4 places. Locate Barrel Nut Mounting Holes per drawing (shown here). The Barrel Nuts are attached to the outside of the Glass Frame, while the Lock Washer and Screw are attached to the inside of the Glass Frame.



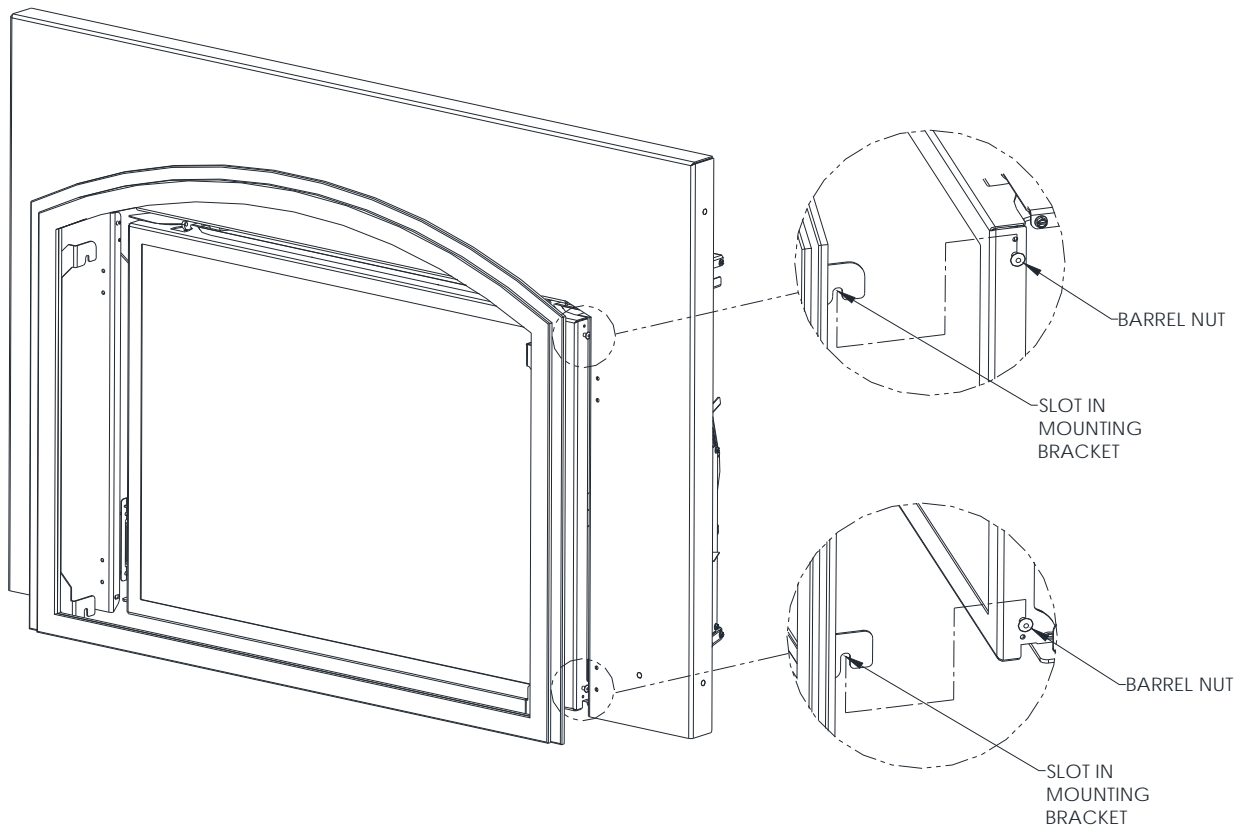
## *FV44 & FV33 GRACE KIT INSTALLATION INSTRUCTIONS*

# MENIOTA

AMERICA'S LUXURY FIREPLACE

3. Hang the Grace by hooking the Open Slots in the Grace Mounting Bracket to the Barrel Nuts on the Glass Frame. Once in position, the Overlay will drop into place in the slots, holding the Overlay on the Fireplace Glass Frame.

To remove the Grace (when necessary), simply lift the Grace assembly up until the slots in the Mounting Bracket disengage, and carefully pull the Grace assembly off the Glass Frame.



**CLEANING INSTRUCTIONS**

1. Grace Kits for the FV44 & FV33 fireplace may be removed for cleaning purposes or prior to removing the Fireplace Glass Door for maintenance purposes.
2. If painted, simply wipe with a dry soft cloth. If a plated finish, use denatured alcohol, Isopropyl alcohol or glass cleaner solution and a soft cloth to remove any dirt and finger prints from the plated surface. **DO NOT USE AN ABRASIVE PAPER TOWEL OR OTHER ABRASIVE MEDIA TO WIPE.**

**NEW ANTIQUE COPPER KITS HANDLING AND MAINTENANCE INSTRUCTIONS**

These Instructions are applicable to ALL Mendota Antique Copper Plated Decorative Products produced and released for use after August 10, 2010.

**HANDLING DURING ASSEMBLY**

*This new Antique Copper Kit has been thoroughly redesigned for ease of cleaning and handling and for long term use without change in color or the formation of oxidation. While the new Antique Copper Plating is resistant to tarnish, oxidation and discoloration, it is susceptible to surface scratches and marring and must be handled with extreme care during installation and normal use.*

**ALWAYS WEAR SOFT & CLEAN CLOTH GLOVES DURING INSTALLATION**

*It is mandated by Mendota that all installers wear soft and clean cloth gloves to handle ALL Antique Copper Plated parts during assembly to the main Fireplace body.*

**CLEAN UP AFTER INSTALLATION**

*Prior to firing the appliance with the Antique Copper Kit installed, Mendota mandates that the entire visible surface of the Antique Copper Kit be wiped down using a soft cotton cloth rag and common household glass cleaner solution. **DO NOT USE PAPER TOWELS AND DO NOT APPLY PRESSURE** on the Antique Copper Surface when wiping. Doing so may mar the Copper Finish. Use gentle sweeps in the direction of the brush marks to remove any dirt or finger prints.*

**NORMAL MAINTENANCE**

*This new Antique Copper Plated Decorative Kit requires minimal maintenance. Wipe off any finger prints using normal household glass cleaner solution and a soft cotton cloth rag. **DO NOT** apply pressure on the Antique Copper Kit when wiping. Doing so may mar the Copper Finish. Use gentle sweeps in the direction of the brush marks to remove any dirt or finger prints.*

**ALWAYS WEAR SOFT CLEAN CLOTH GLOVES!**

**DO NOT USE ANY ABRASIVE MEDIA!**

**DO NOT USE PAPER TOWELS TO WIPE THE SURFACE!**

**DO NOT APPLY ANY PRESSURE WHILE CLEANING!**

**DO NOT SAND THIS ANTIQUE COPPER FINISH!**